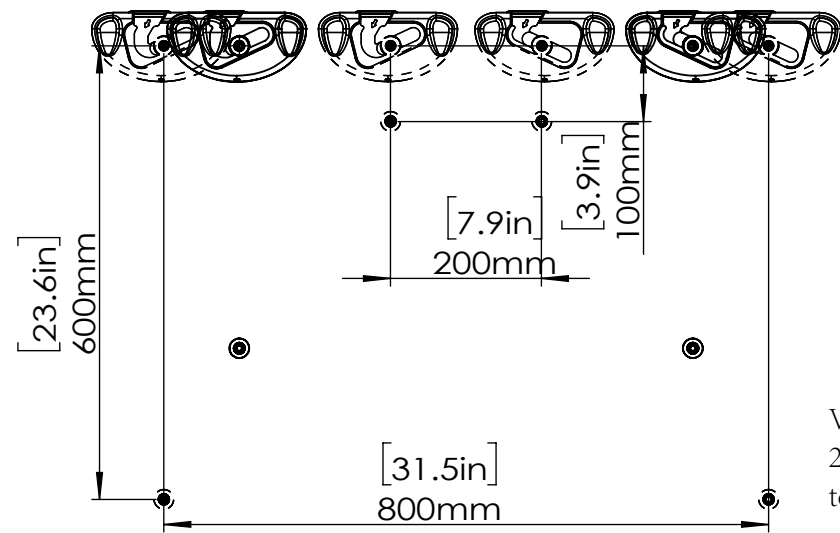


TV INTERFACE



VESA:
200x100
to 800x600

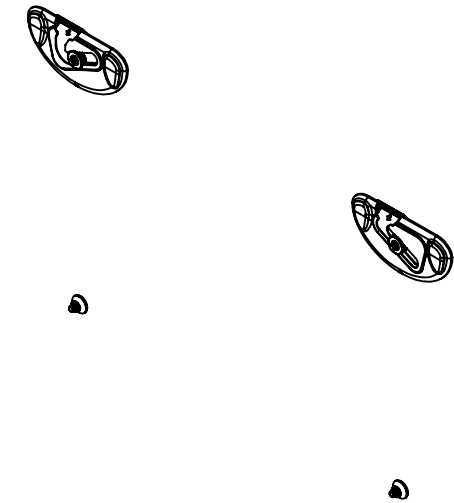
ERMLL4-01 Tech DWG

REV00

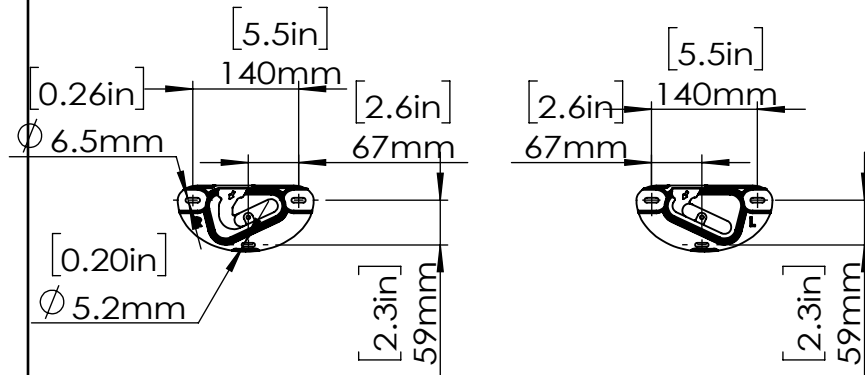
Model Number	ERMLL4-01B
Maximum TV Weight	120 LBS
TV Size Range	40-90"
Net Weight	0.73LBS
Gross Weight	2.5 LBS
Product Dimension	14.5" x 3.7" x 0.5"

THE INFORMATION CONTAINED IN THIS DRAWING IS THE CONFIDENTIAL AND PROPERTY OF ErgoAV. ANY REPRODUCTION OR DISCLOSED WITHOUT THE WRITTEN PERMISSION OF ErgoAV IS PROHIBITED.

3-D View



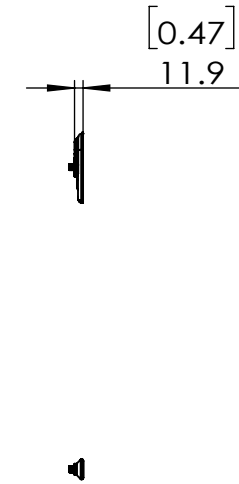
WALL PLATE



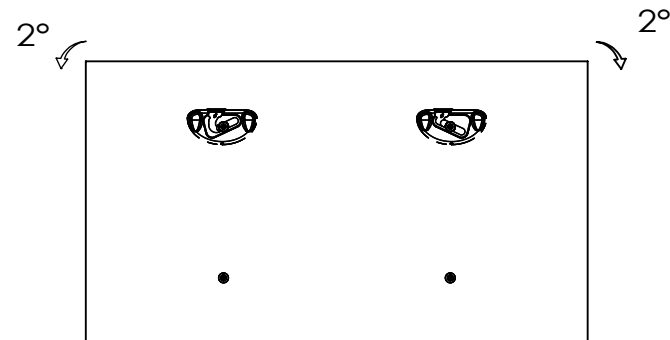
TOP VIEW



SIDE VIEW



LEVEL ADJUSTMENT



TV HDW COMBINATION

Option A 12mm Wall Clearance

Top Fasteners			Bottom Fasteners		
M4	M6	M8	M4	M6	M8
G1	G3	G6	G1	G3	G6
F1	F2	C	F1	F2	D

Option B 20mm Wall Clearance

Top Fasteners			Bottom Fasteners		
M4	M6	M8	M4	M6	M8
G2	G4	G7	G2	G4	G7
F1	F2	C	F1	F2	D
E1	E1	E1	E1	E1	E1

Option C 40mm Wall Clearance

Top Fasteners		Bottom Fasteners	
M6	M8	M6	M8
G5	G8	G5	G8
F2	C	F2	D
E1	E1	E1	E1

SHIP WITH

