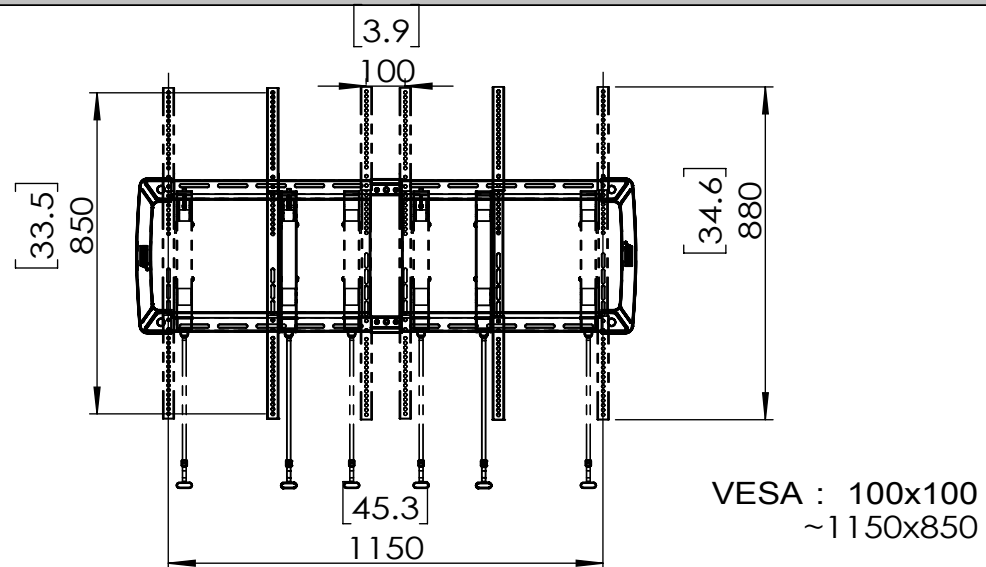


ERMLX1 Tech- Drawing

V6

TV INTERFACE



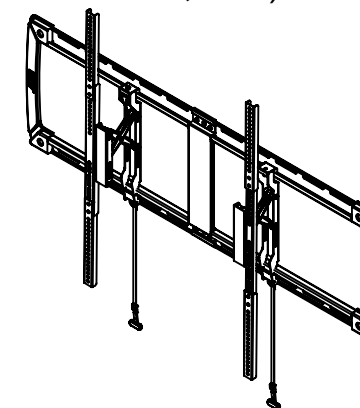
Model Number	ERMLX1-01
Maximum TV Weight	225 LBS
TV Size Range	75-116"
Net Weight	21.3LBS
Gross Weight	24.8LBS
Product Dimension	52.1" x 34.6" x 2.0"

THE INFORMATION CONTAINED IN THIS DRAWING IS THE CONFIDENTIAL AND PROPERTY OF ERGOAV. ANY REPRODUCTION OR DISCLOSED WITHOUT THE WRITTEN PERMISSION OF ERGOAV IS PROHIBITED.

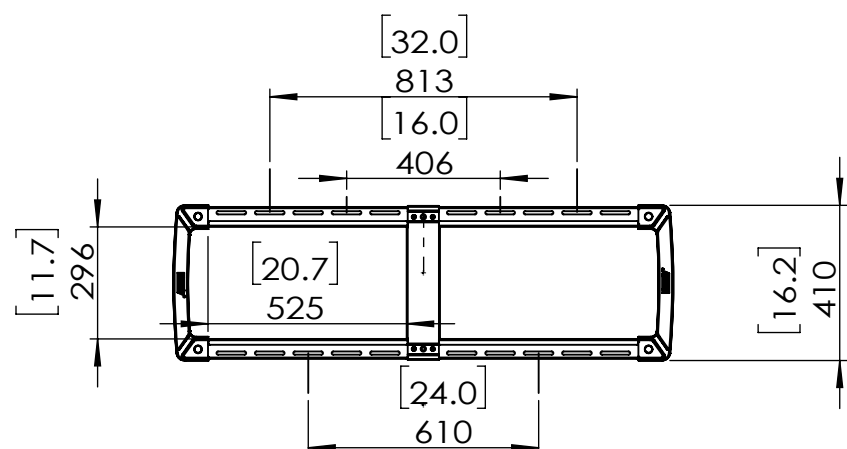
3-D View

225 lbs (102.3 kg) (16"- 16" studs, Concrete and Concrete Block Walls)
132 lbs (60 Kg) (2-studs : 16" , 24")

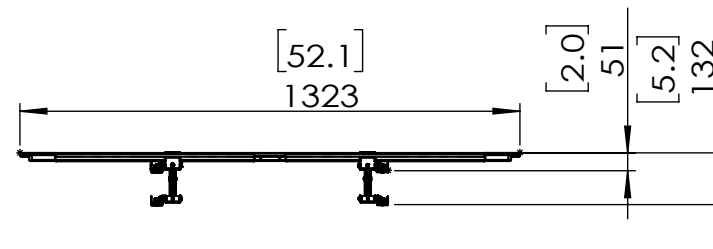
Unit: [in]
mm



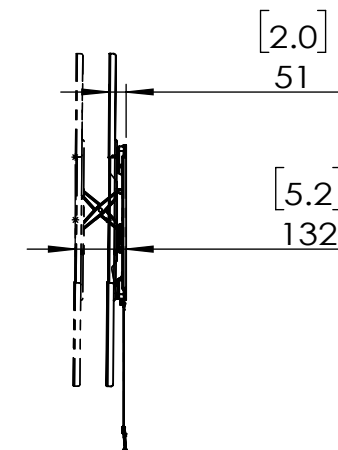
WALL PLATE



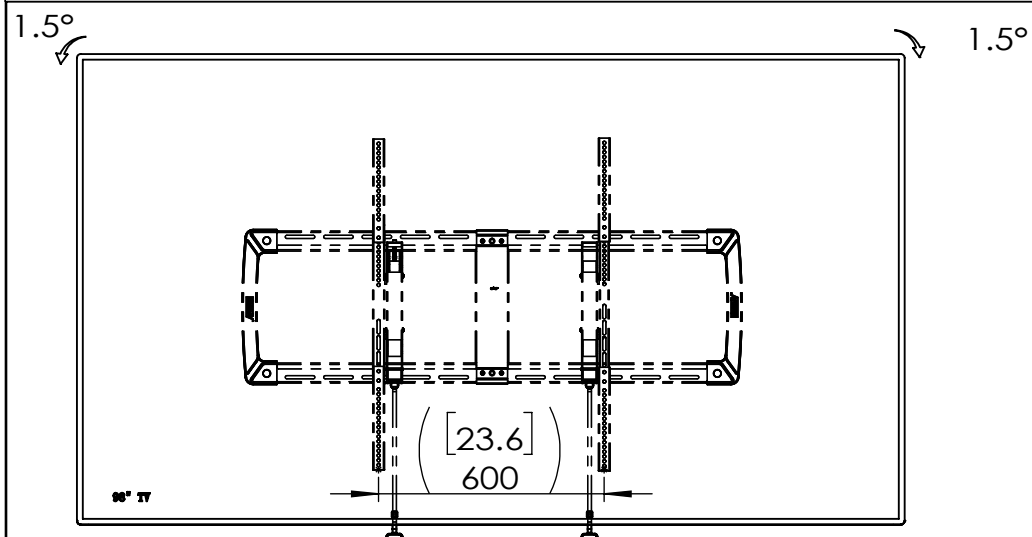
TOP VIEW



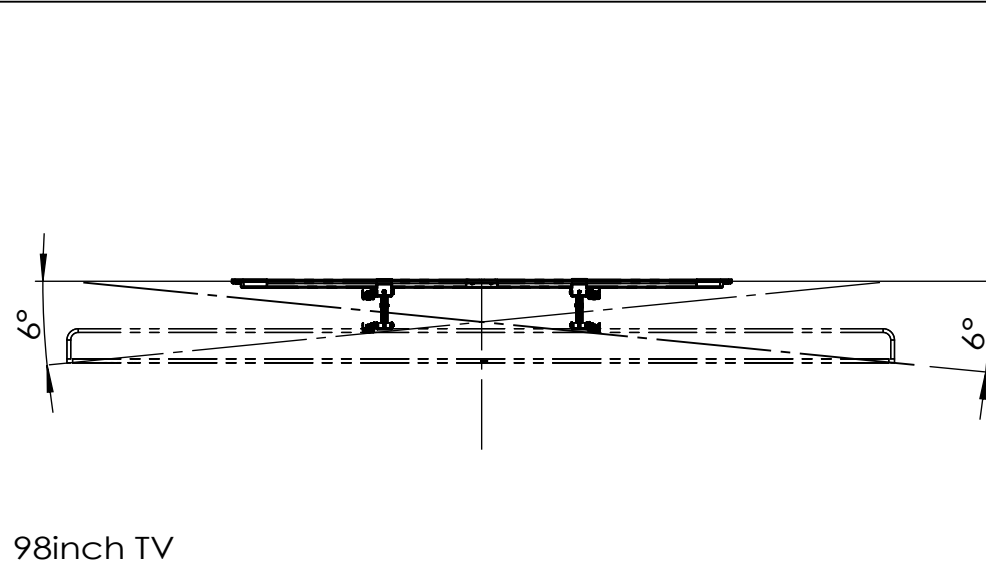
SIDE VIEW - Fixed/Extend



LEVEL ADJUSTMENT



TOP VIEW-SWIVEL



HORIZONTAL SHIFT

