



The ERM6-01B tilting mount fits most TVs 32"-65" and up to 88 lbs. Tilting functionality helps with reducing reflections and enhances the viewing experience. Level adjustment of ± 2 enables the TV to be adjusted post-installation for a better viewing experience. The unique latching mechanism allows the TV to be attached securely and removed from the wall plate quickly and easily. Horizontal shift allows the TV to be moved horizontally on the wall plate to allow optimal placement on the wall. Safety tested and UL certified.

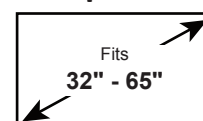
Features

- Fits 32" to 65" TVs up to 88 lbs in weight.
- Industry-leading design allows effortless TV positioning regardless of size and weight.
- Enhanced movement provides up to 15° tilt for the best viewing angle.
- 2.6" low profile brings your room a clean look.
- Pull cord lock allows easy and reliable locking or unlocking of your TV.
- The 2° level function ensures the television is perfectly level for optimal viewing.



TV Compatibility

VESA
100x100 - 400x400 mm

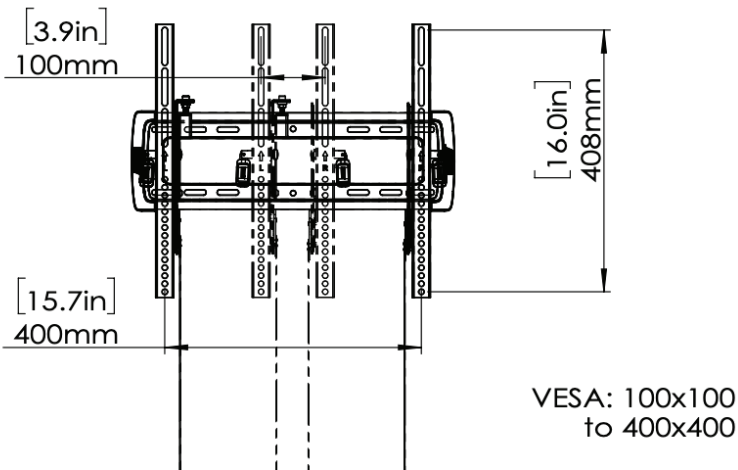


WARRANTY: 5-Year

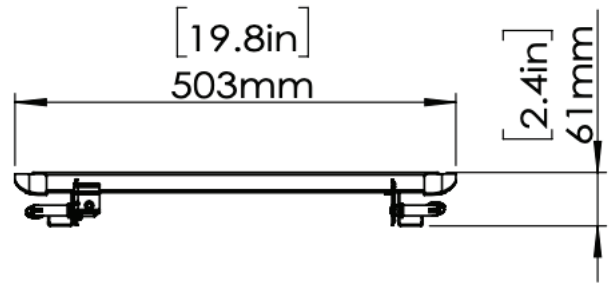
| Product Specifications | DIMENSIONS (W x H x D) | PRODUCT WEIGHT | LOAD CAPACITY | FINISH | AVAILABLE COLORS |
|------------------------|------------------------|----------------|----------------|----------------|------------------|
| | 19.8" x 16.7" x 2.4" | 4.14 lbs. | 88 lbs. (wood) | Powder Coating | Black |
| | 502mm x 424mm x 60mm | 1.87KG | 40 KG | | |

Product Dimensions

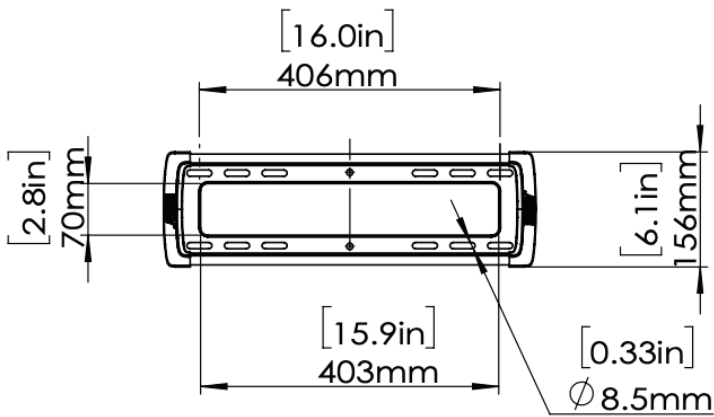
TV INTERFACE



TOP VIEW



WALL PLATE



SIDE VIEW - TILTING

