



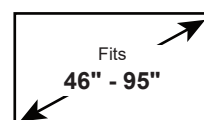
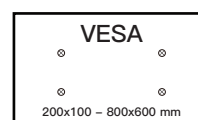
The ERMMX2-01B full motion mount fits most 42" to 90" TVs up to 175 lbs. Enhanced movement provides up to 15 degree tilt and 60 degree swivel for the best viewing angle. IsoTILT™ technology ensures TV tilt angle will not drift. The industry-leading construction allows effortless TV positioning regardless of size and weight. Integrated cable management helps to conceal unsightly power and HDMI cables.

Features

- IsoTILT™ technology ensures TV tilt angle will not drift.
- Industry-leading design allows effortless TV positioning regardless of size and weight.
- Advanced industrial design and streamlined look complements today's sleek TVs.
- Enhanced movement provides up to 15° tilt and 60° swivel for the best viewing angle.
- Integrated cable management helps to conceal unsightly power and HDMI cables.
- Fits 46" to 95" TVs up to 175 lbs in weight.



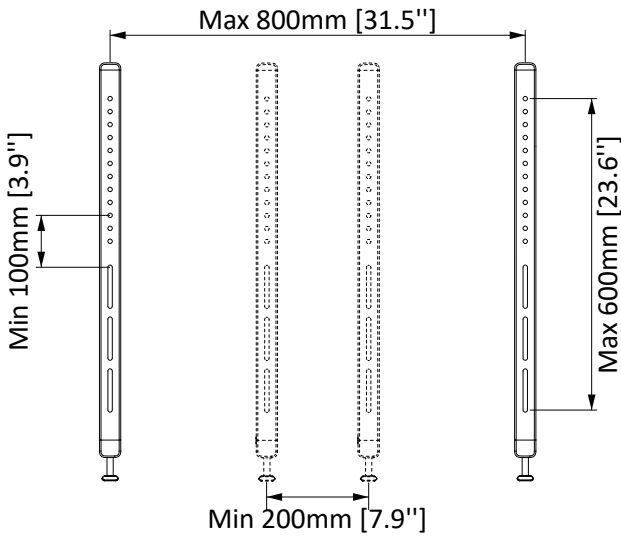
TV Compatibility



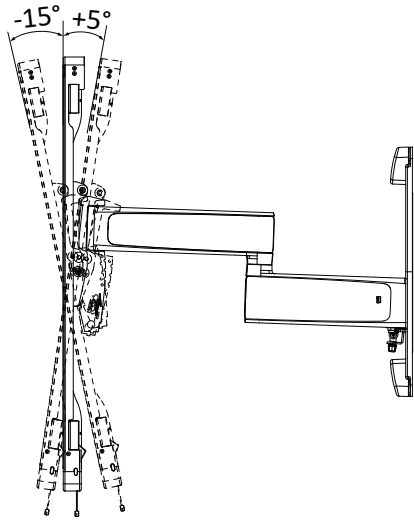
Model Number **ERMMX2-01B** **WARRANTY:** **5-Year**

Product Specifications	DIMENSIONS (W x H x D)	PRODUCT WEIGHT	LOAD CAPACITY	FINISH	AVAILABLE COLORS
	38.1" x 31.7" x 31"	35.3 lbs.	175 lbs.	Powder Coating	Black
970mm x 805mm x 787.5mm	16 KG	79.4 KG			

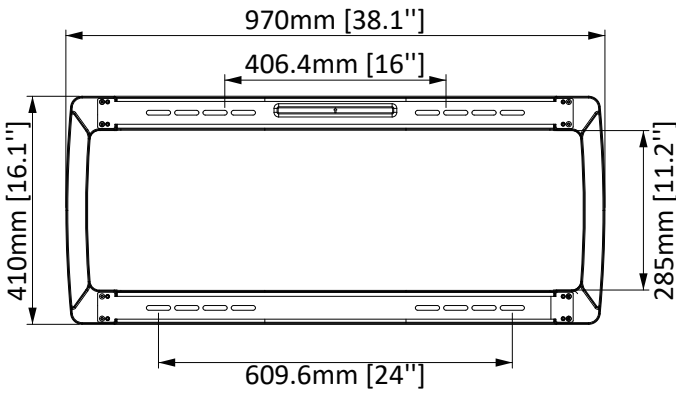
Product Dimensions



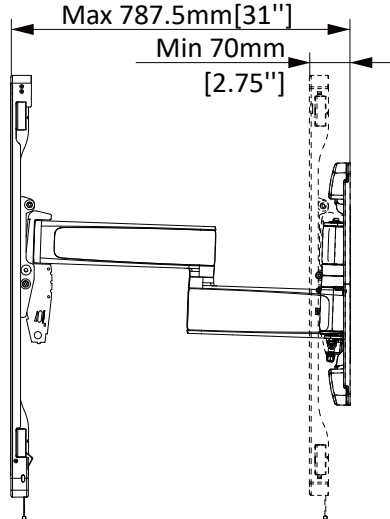
TV INTERFACE



SIDE VIEW - TILTING



WALL PLATE



SIDE VIEW