



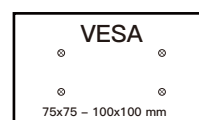
The ERDHM2-01B is a dual monitor desk mount with built-in hub for monitors up to 34" and 22 lbs. Inputs include two USB-C, two USB-A, two HDMI ports, one ethernet port, and one 3.5mm AUX. Supports up to 75W USB-C charging for laptops, phones and tablets. Stream media up to 4k resolution via HDMI. Built-in cable management helps to create a streamlined look. Enhance your workspace with a sense of technology that complements today's sleek monitor designs.

### Features

- Universal compatibility - fits most monitors 13-34" weighing between 4.4 and 22 lbs with VESA 75 x 75 or VESA 100 x 100 hole patterns.
- Built in Dock expands available ports on your computer - Inputs include two USB-C, two USB-A, two HDMI ports, one ethernet and one 3.5mm AUX.
- The gas spring arm provides easy height adjustment - simply move the monitor where you want it, no tools required!
- Supports up to 75W USB-C charging for laptops, tablets and 7.5W for phones and able to stream media up to 4k via HDMI.
- Versatile mounting options; includes desk clamp, or grommet mount accommodates a variety of desk types.
- Streamlined look with built-in cable management system.



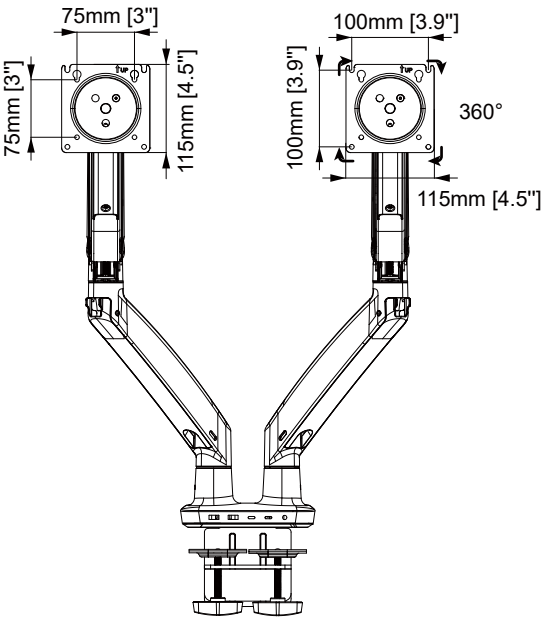
### Monitor Compatibility



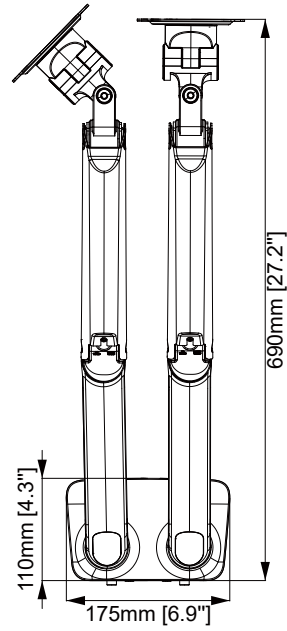
**Model Number** ERDHM2-01B **WARRANTY:** 5-Year

Product Specifications	DIMENSIONS (W x H x D)	PRODUCT WEIGHT	LOAD CAPACITY	FINISH	AVAILABLE COLORS
	47.2" x 22.5" x 27.2"	16.8 lbs.	4.4 - 22 lbs.	Powder Coating	Black
1200mm x 570mm x 690mm	7.6 KG	2 - 10 KG			

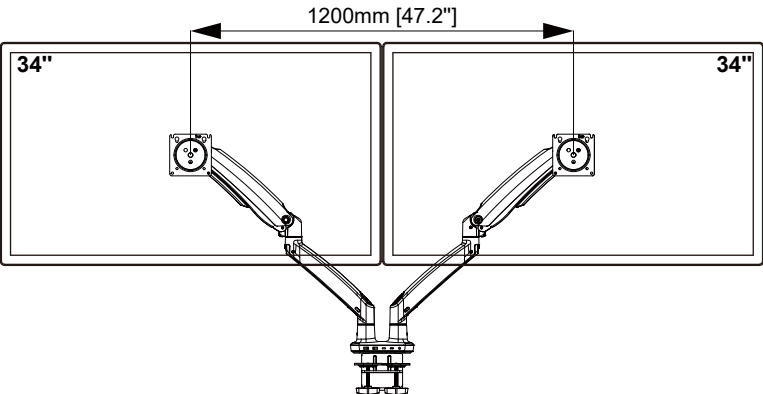
### Product Dimensions



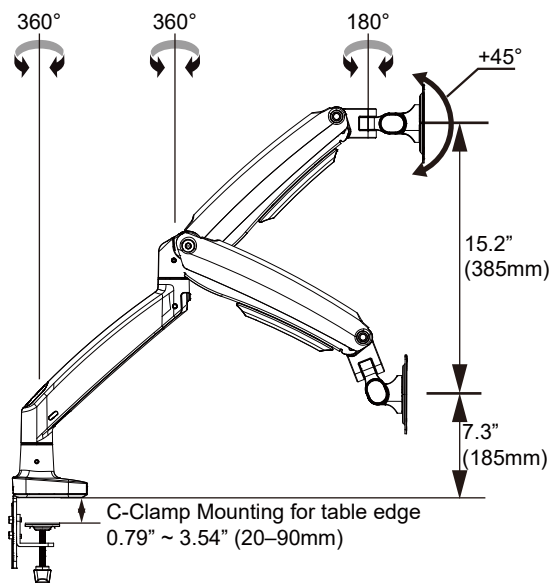
**MONITOR INTERFACE**



**TOP VIEW**



**FRONT VIEW**



**SIDE VIEW**