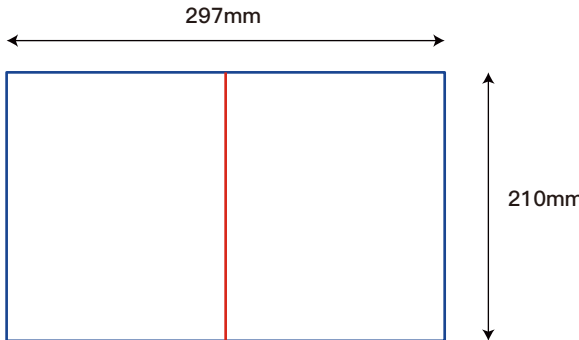


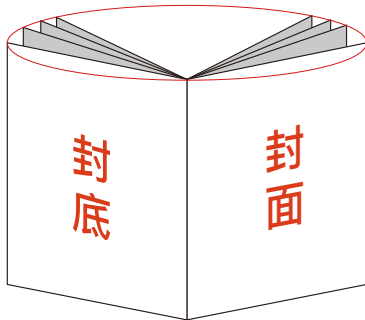
注：此页为技术说明，非印刷内容

刀模线：——
内折线：——

展开尺寸图：



装订效果图：



技术要求：

- 1、材质：封页105g 铜板纸；内页80g双胶纸
- 2、展开尺寸：A4，如图所示装订成型为A5，44P
- 3、颜色：单色
- 4、印刷：印刷图档见后续页，双面印刷
- 5、装订方式：骑马钉

符号标识

版本变更

XXX

关键尺寸

±XXX

编号

①

参考尺寸

(.XXX)

名称

ERDHM2-01B-
Manual(英法西)-XX

图号

材料

规格

PLM号

XXX-XXXX-XX

投影法

第一角投影法



版本

重量G

比例

00

共 1 页

第 1 页

深圳市倍思奇创
新技术有限公司

除 非 另 有 说 明	标记	处数	ECO#	发行时间
0-30 ±1	设计		PM	
30-150 ±2	绘图	Lia	日期	2023/06/01
150-300 ±3	审 批		日期	
300-450 ±4	除去所有利边，尖点，毛刺			
>450 ±5				

1

2

3

4



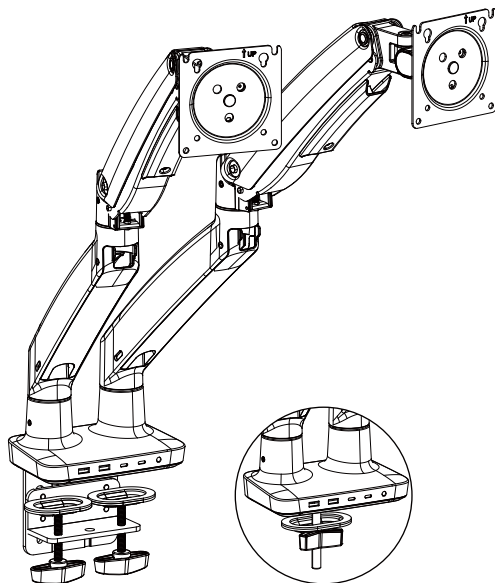
Dual Monitor Desk Mount Instruction Manual

(A)

English pages

French pages

Spanish pages



Model: ERDHM2-01B

Thank You for Choosing this ErgoAV Product!

At ErgoAV, we want to add value to your AV experience by providing the highest quality products and services in the industry. If you have any concerns or comments, please contact us.

ErgoAV Customer Care

phone: (877) 419-7832

email: support@ergoav.com

website: www.ergoav.com

address: 9501 Louisiana Ave N, #200, Brooklyn Park, MN 55445

Important Safety Information

- Please carefully read all instructions before attempting installation. If you do not understand the instructions or have any concerns or questions, please contact Technical Support at (877) 419-7832 or Customer Service at support@ergoav.com.
- ▲ **CAUTION:** Avoid potential personal injuries and property damage!
- Do not use this product for any purpose that is not explicitly specified in this manual. Do not exceed weight capacity. We are not liable for damage or injury caused by improper mounting, incorrect assembly or inappropriate use.
- This product contains gas assist arms which are under pressure. Do not puncture these arms or expose the arms to high heat.
- If the product arrives defective or is missing parts, please contact ErgoAV Customer Support at support@ergoav.com or (877) 419-7832 to arrange a return.
- Do Not use this product on desks made of particle board or other soft woods.
- The information contained in this manual does not cover all possible conditions or variables in relation to the install of this product.

Weight Restrictions



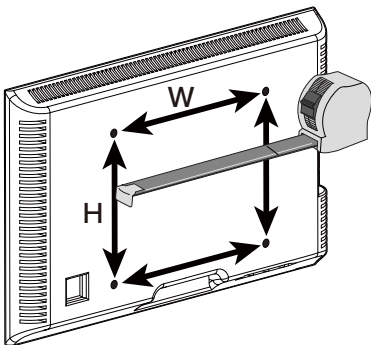
If your monitor weighs more, this mount is NOT compatible. Monitor should not exceed maximum listed weight.

▲ WARNING

DO NOT exceed the maximum weight indicated. This mounting system is intended for use only within the weight range listed. Use with products heavier than the maximum weight limit may result in failure of the mount, causing potential damage and or injury.

It is the responsibility of the installer to verify the total weight of the monitors and any accessories attached. Do Not exceed the weight limit listed.

Check the VESA Pattern of Your Monitor before the Installation



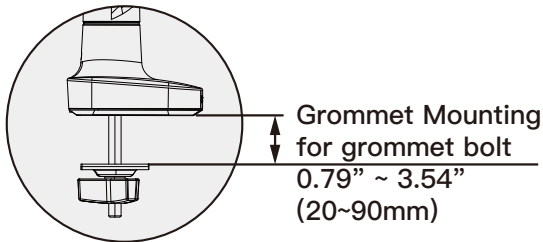
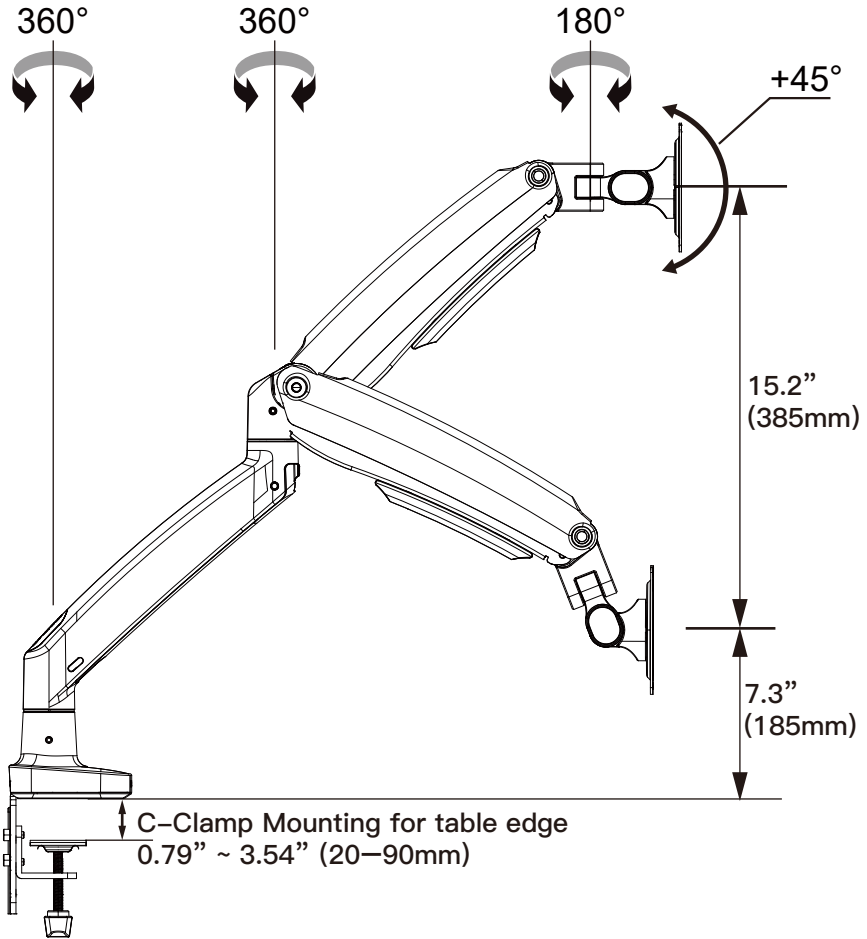
Measure Your Monitor's VESA Pattern:

Minimum: 75mm x 75mm/3" x 3" (WxH)

Maximum: 100mm x 100mm/4" x 4" (WxH)

If your monitor's VESA Pattern is smaller than 75mm x 75mm/3" x 3" or greater than 100mm x 100mm/4" x 4", this mount is NOT COMPATIBLE with your monitor. Please contact our Technical Support at (877) 419-7832 or support@ergoav.com to find a compatible mount.

Product Features



TENSION ADJUSTMENT SHOULD BE DONE ONLY AFTER MOUNT INSTALLATION

 **Attention**

DO NOT adjust tension without monitor attached.

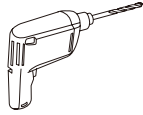
1. Verify the weight of your monitor (including accessories) is between 4.4 ~ 22 lbs (2.0~10.0 kg).
2. Monitor weight information can be found within its box or manual.
3. Ensure monitor has been securely attached to the mount.

WARNING:

- Gas Spring Arm is under pressure and should be handled with care.
- Failure to follow the instructions may result in damage to the mount and/or personal injury.



Tools Needed (Not Included)



Electric Drill (Optional)



Drill Bit (Optional)
3/8–1 1/16" (10–27mm)

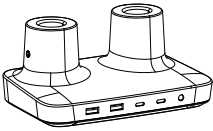
Supplied Parts and Hardware

▲ WARNING: This product contains small items that may pose a choking hazard.

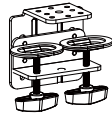
Before starting assembly, verify all parts are included and undamaged. Do not use damaged or defective parts. If you require replacement parts, please contact Technical Support at (877) 419-7832 or Customer Service at support@ergoav.com to find a compatible mount.

• **NOTE:** Not all hardware included in this package will be used.

Supplied Parts and Hardware for Step 1



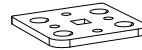
Base
01 x 1



C-Clamp
02 x 1



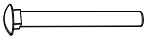
Locking Plate
[A1] x 1



Locking Plate
[A2] x 1



Butterfly Nut
[A3] x 1



Grommet Bolt
[A4] x 1



Bolt M6 x 12mm
[B1] x 4



Rubber Pad
[C] x 1



Medium Allen Key
5/32" (4mm)
[L1] x 1

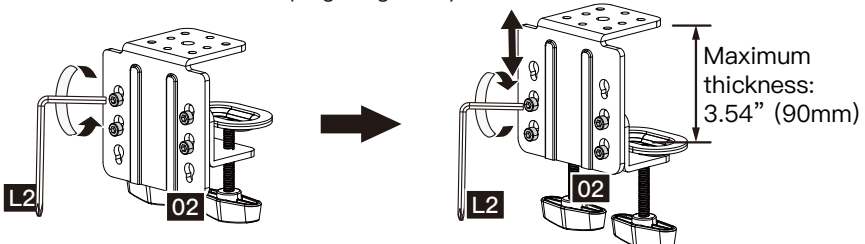


Large Allen Key
3/16" (5mm)
[L2] x 1

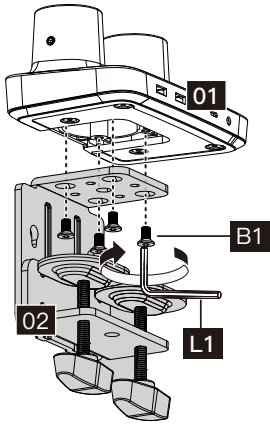
Step 1 Attach to Desk Mounting Surface

Option A: For Clamp Mounting

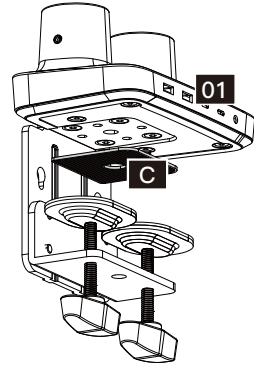
1A-1 Remove the pre-installed bolts and detach the C-clamp from the brace. Reattach through the pair of holes with the best clamping range for your desk thickness.



1A-2 Attach the C-clamp brace to the Base [01] using Bolts [B1].



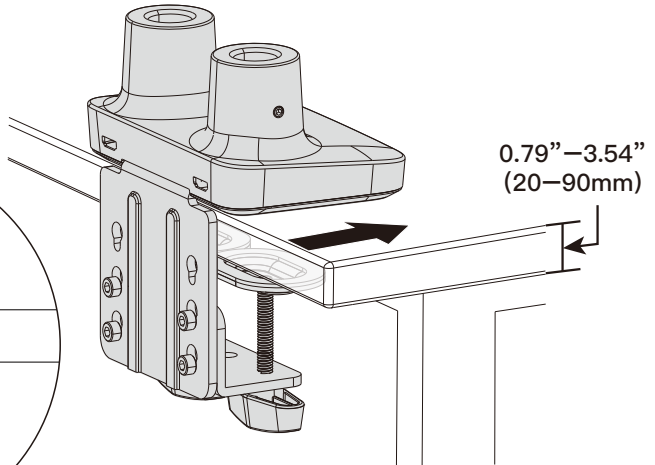
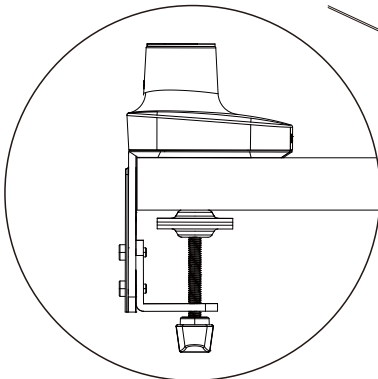
1A-3 Install the Rubber Pad [C] on the Base [01].



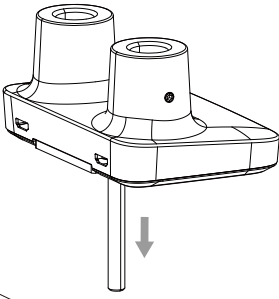
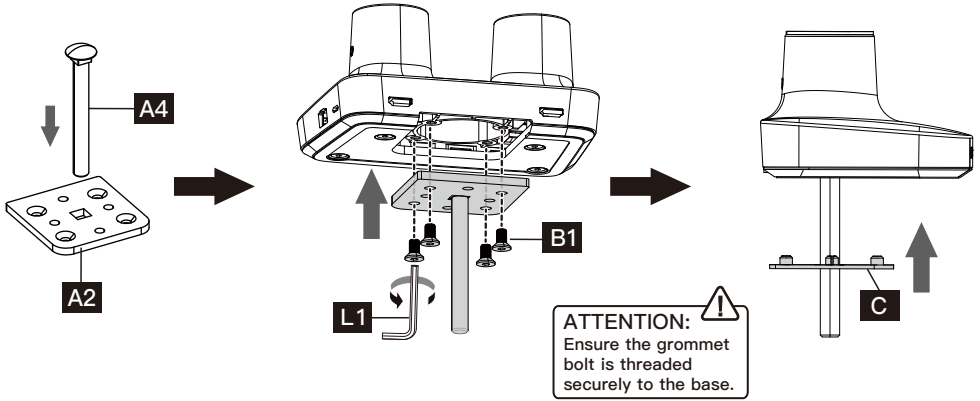
WARNING:
Ensure bolts are secured firmly.



1A-4 After pushing the clamp fully onto the desk, rotate the knob until the C-Clamp [02] is secured firmly to the underside of desktop.



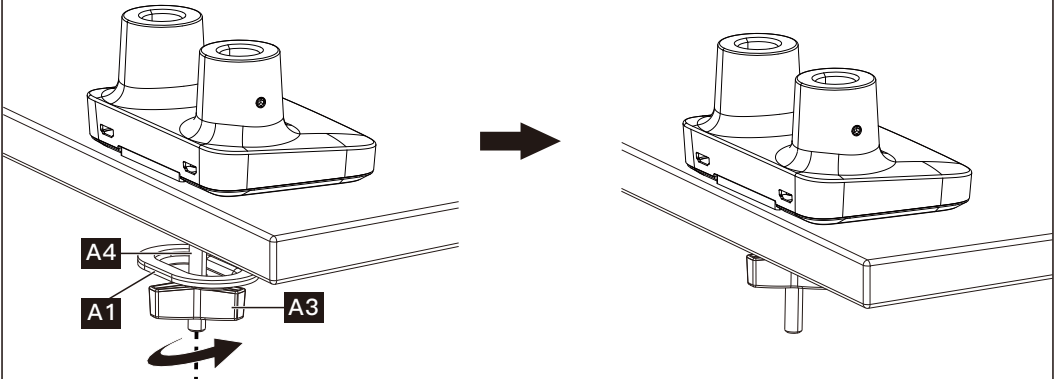
Option B: Existing Grommet Hole Installation



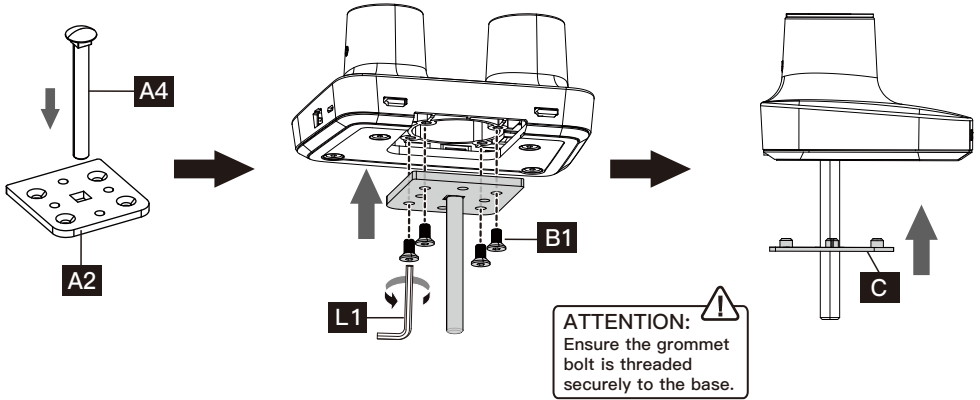
NOTE: If your desk has an existing grommet hole with a plastic cover, remove it before installation.

0.79"–3.54"
20–90mm

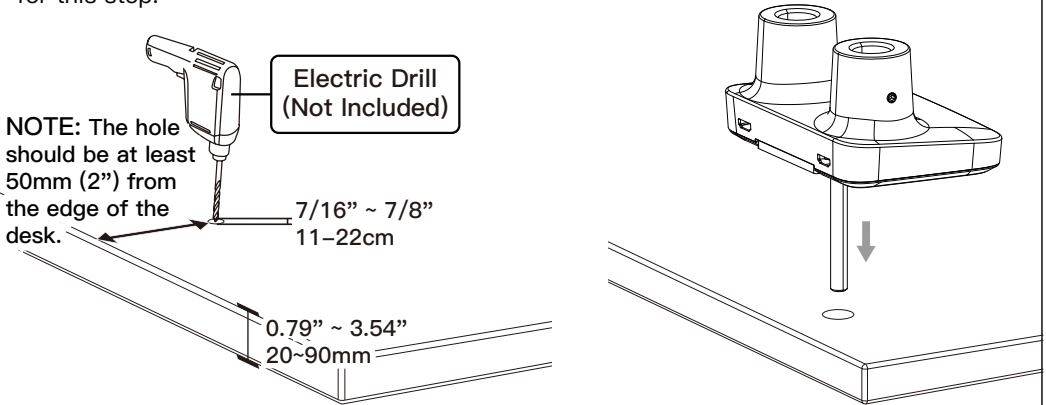
Rotate Butterfly Nut [A3] until the Locking Plate [A1] is firmly secured to the underside of your desk.



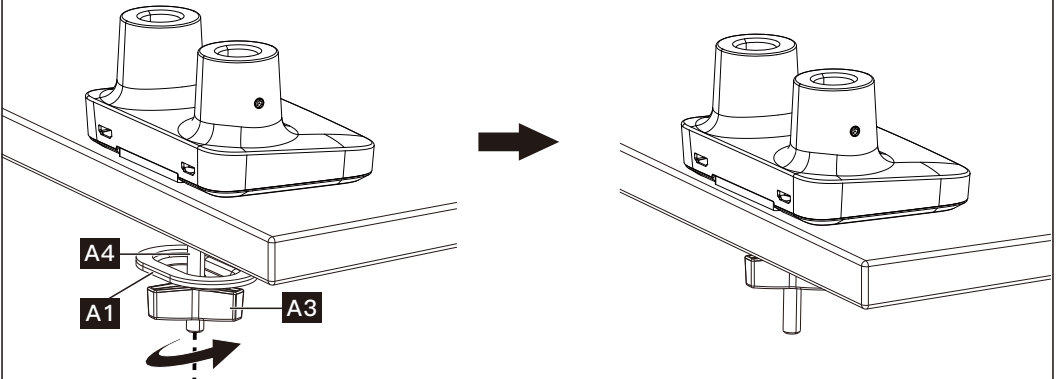
Option C: Self Drilled Grommet Hole Installation



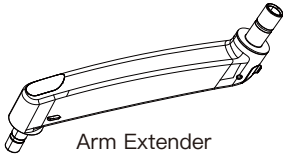
If a hole is needed for grommet installation, be sure to leave at least 2" from the edge of desktop and mark where the hole will be drilled. Use either a 7/16" or 7/8" drill bit for this step.



Rotate Butterfly Nut [A3] until the Locking Plate [A1] is firmly secured to the underside of your desk.

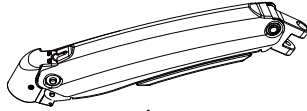


Supplied Parts and Hardware for Step 2



Arm Extender

03 x 2



Arm

04 x 2

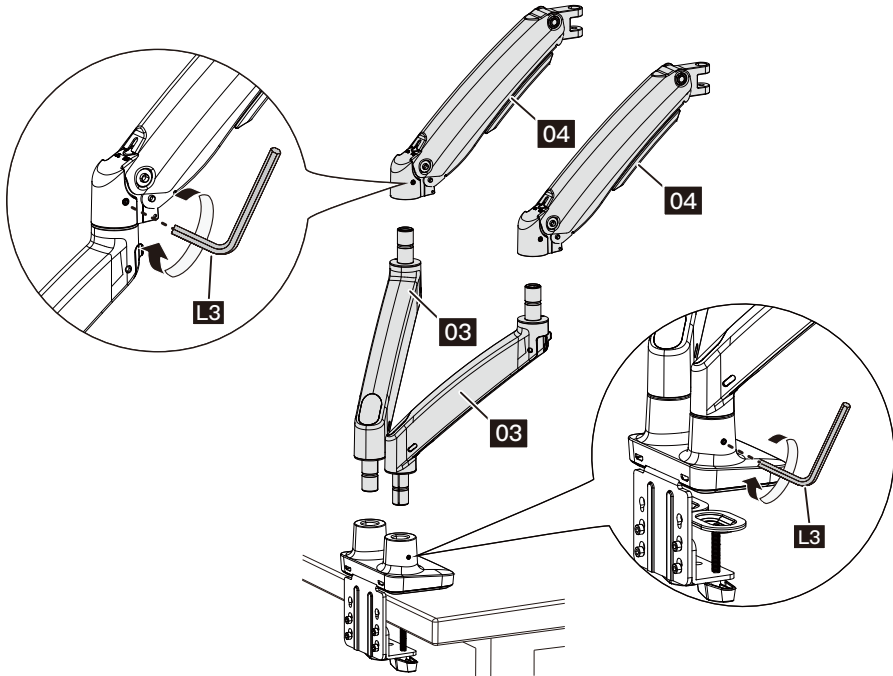


Small Allen Key
1/8" (3mm)
[L3] x 1

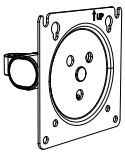
Step 2 Attach the Arm Sections

2-1 Push the Arm Extender [03] into the base, and then the Arm [04] onto the Arm Extender [03].

2-2 Tighten the set screws on both sides of the arm joints. Do not overtighten the set screws as this may affect the rotation of the arm.



Supplied Parts and Hardware for Step 3



Monitor Plate

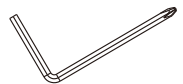
05 x 2



Bolt
M8 x 38mm
[D1] x 2



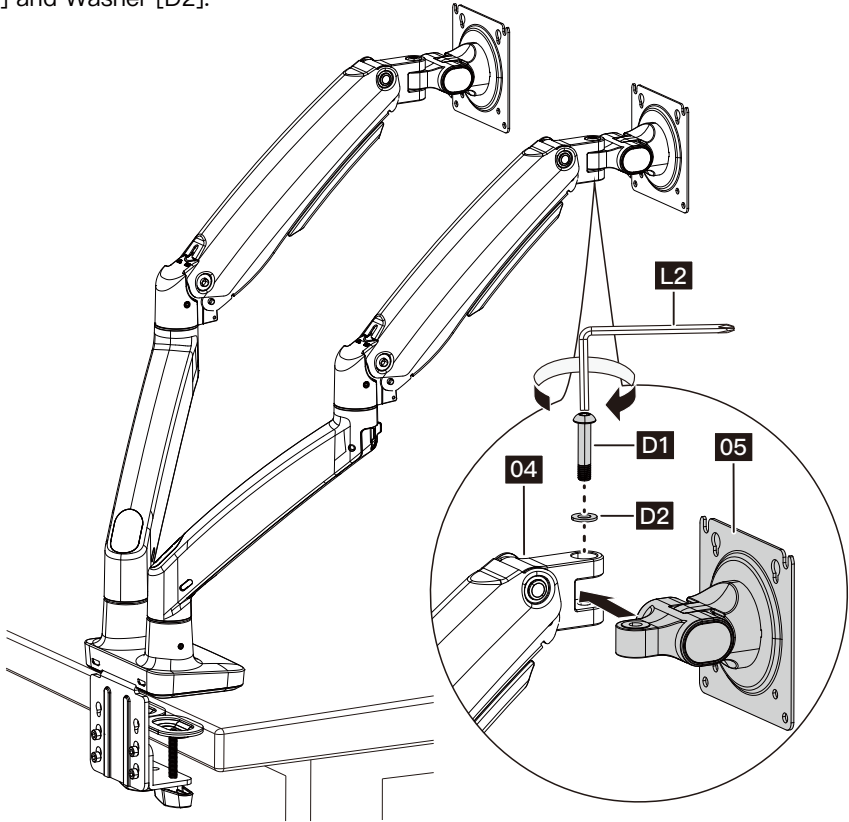
Washer
16 x 8.2 x 1.5mm
[D2] x 2



Large Allen Key
3/16" (5mm)
[L2] x 1

Step 3 Attach the Monitor Plate

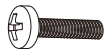
Slide the Monitor Plate [05] sideways into the slot at the end of the Arm [04]. Fasten with Bolt [D1] and Washer [D2].



Supplied Parts and Hardware for Step 4



Washer
10 x 4.5 x 1.0mm
[E1] x 8



Bolt
M4 x 12mm
[F1] x 8



Bolt
M4 x 30mm
[G1] x 8



Spacer
L13mm
[H1] x 8

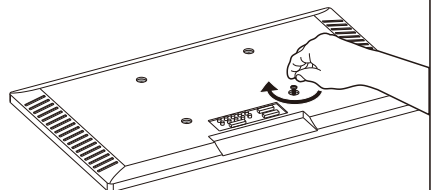


Large Allen Key
3/16" (5mm)
[L2] x 1

Step 4 Attach the Monitor to the Arm

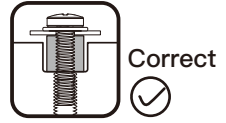
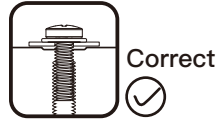
Select Monitor Bolts

Only one size bolt fits your monitor.



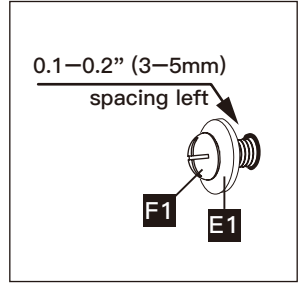
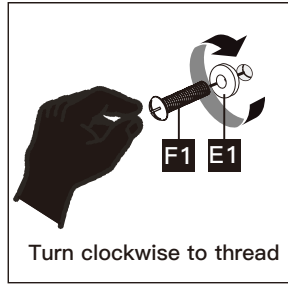
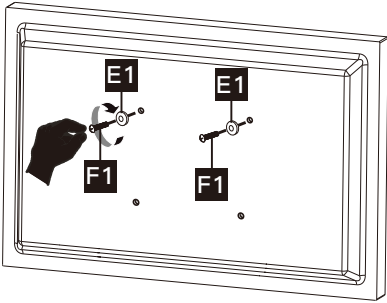
Bolt length: Verify adequate thread engagement with bolts or bolts / spacers combination. We recommend thread engagement of at least 5 turns.

- Too short will NOT hold the monitor.
- Too long will damage the monitor.



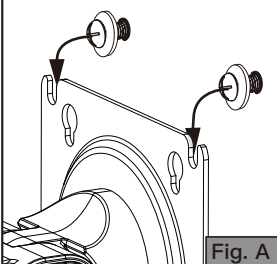
Option A (For Flat Back Monitor)

4A-1 Thread two Bolts [F1] with Washers [E1] into the top holes until about 0.1–0.2” (3–5mm) of space is left between monitor back and washer.

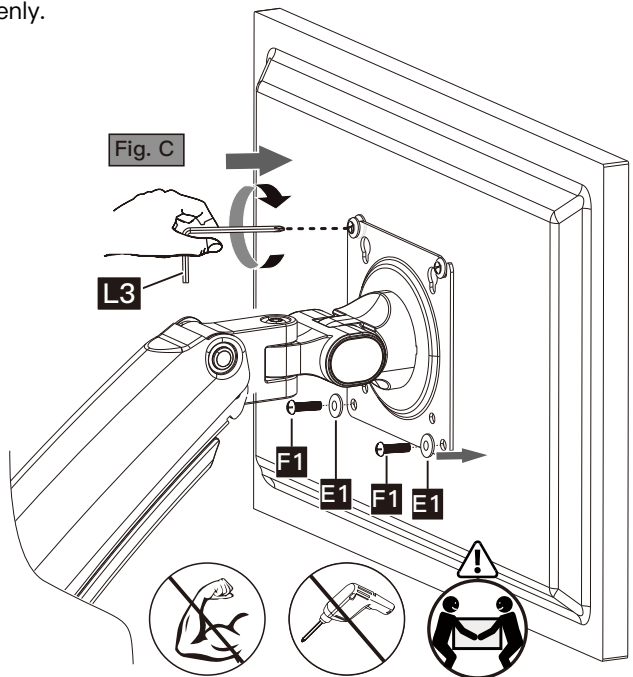
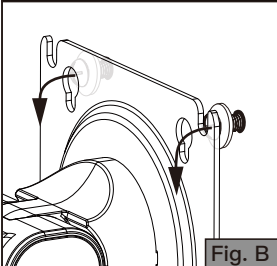


4A-2 Hang the monitor from the monitor plate with the top two Bolts [F1] (see Fig. A or Fig. B). Screw the remaining two Bolts [F1] into the bottom holes (see Fig.C). Tighten all Bolts [F1] evenly.

For Monitor Hole Pattern:
100 x 100mm (3.9 x 3.9”)

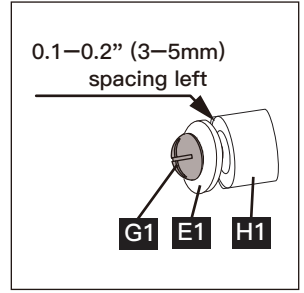
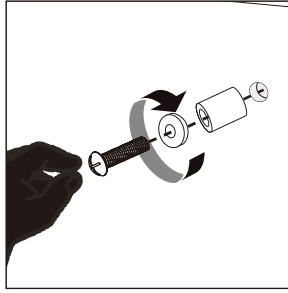
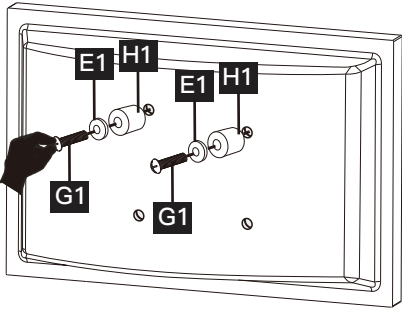


For Monitor Hole Pattern:
75 x 75mm (3 x 3”)



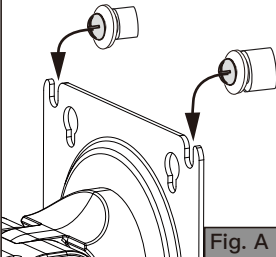
Option B (For Curved Back Monitor)

4B-1 Slide the Washers [E1] and Spacers [H1] over the Bolts [G1]. Turn the top two Bolts [G1] CLOCKWISE until about 0.1–0.2" (3–5mm) of space is left between the Washer [E1] and the Spacer [H1].

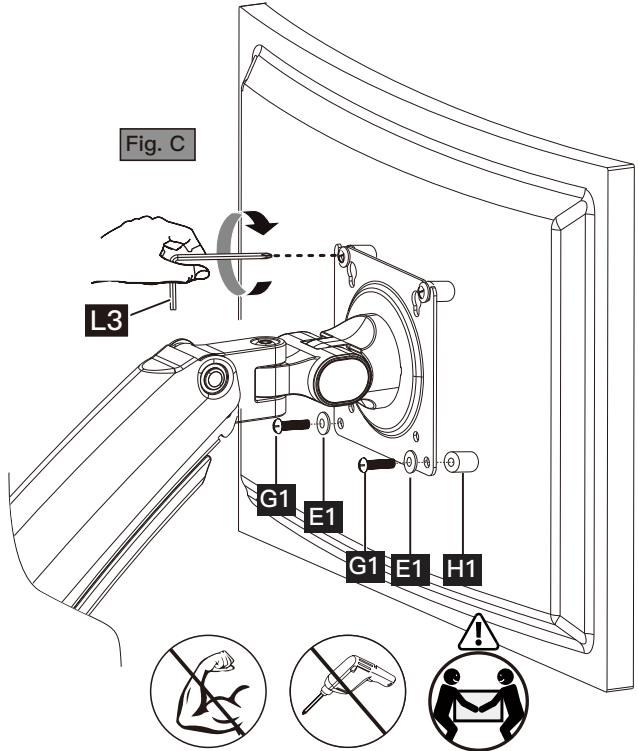
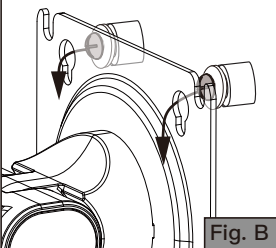


4B-2 Hang the monitor from the monitor plate with the top two Bolts [G1] (see Fig. A or Fig. B). Place the Spacers [H1] between the monitor plate and back of monitor. Screw the remaining two Bolts [G1] into the bottom holes (see Fig.C). Tighten all bolts evenly.

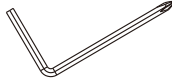
For Monitor Hole Pattern:
100 x 100mm (3.9 x 3.9")



For Monitor Hole Pattern:
75 x 75mm (3 x 3")

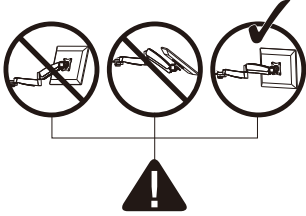


Supplied Hardware for Step 5



Large Allen Key
3/16" (5mm)
[L2] x 1

Step 5 Adjust the Gas Spring Tension



Note: Ensure the arm is held in a horizontal position (parallel to desktop) during adjustment. Failing to do so may result in difficulty adjusting or potential damage to the mount.

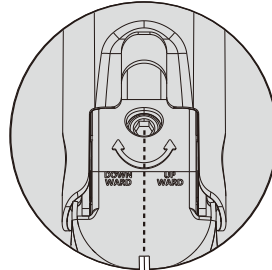
5-1 If the gas spring arm RISES with the monitor attached, hold the arm in a horizontal position while using the large Allen Key [L2] to turn the adjustment bolt **CLOCKWISE**, **REDUCING** the arm tension.

5-2 If the gas spring arm LOWERS with the monitor attached, hold the arm in a horizontal position while using the large Allen Key [L2] to turn the adjustment bolt **COUNTER-clockwise**, **INCREASING** the arm tension.

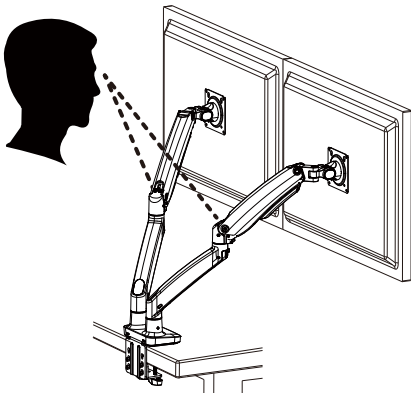
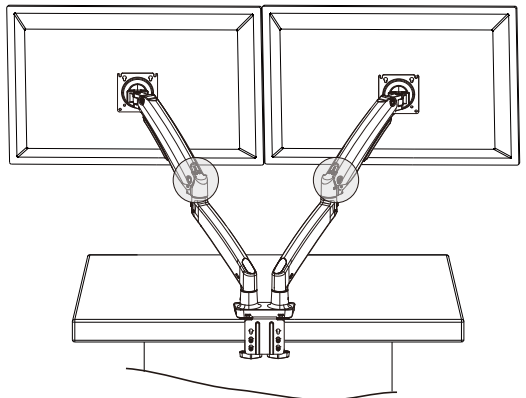
⚠ WARNING!



Gas Spring arm is under pressure and should be handled with care. Failure to follow the instructions may result in damage to the mount and/or personal injury.

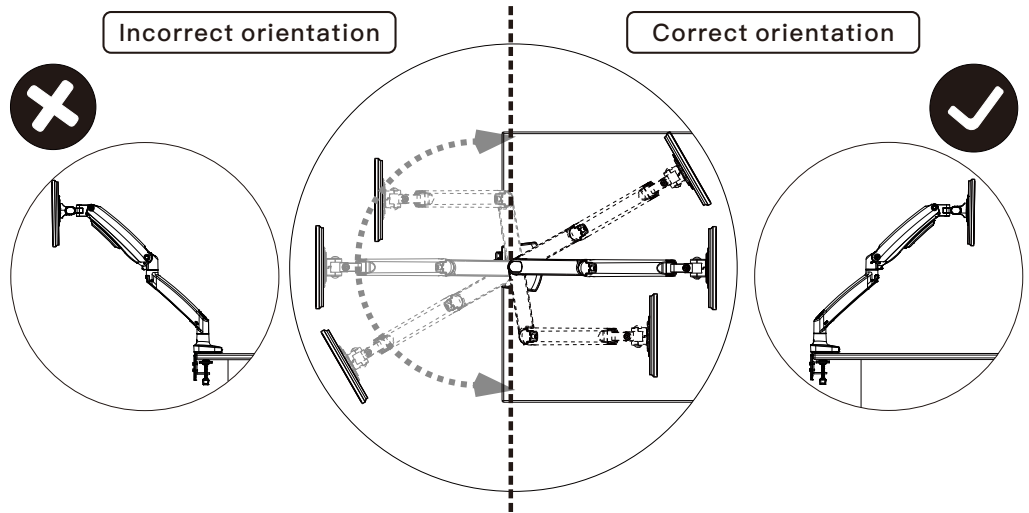


Clockwise to **REDUCE** tension - Counter-clockwise to **INCREASE** tension

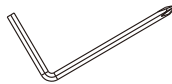


Step 6 Rotation Restriction

To ensure proper stability, do not position monitor behind base. Monitor and arms should remain over the desktop. Failure to do so may cause instability, resulting in property damage or injury.



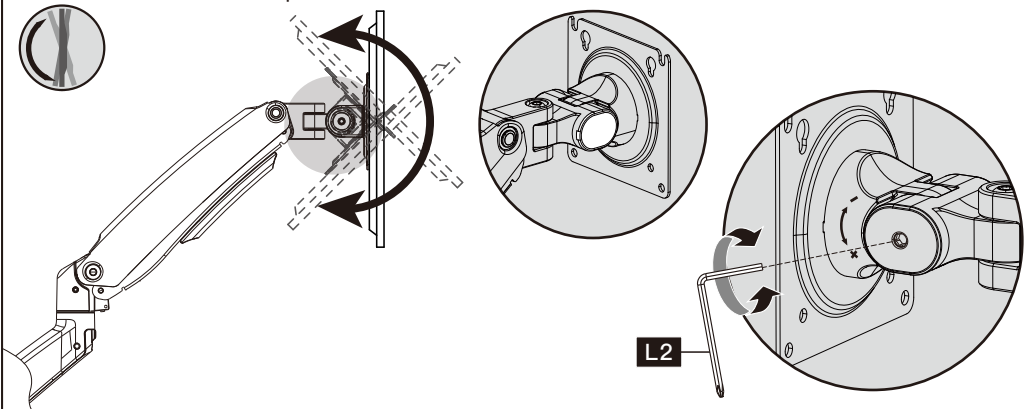
Supplied Hardware for Step 7



Large Allen Key
3/16" (5mm)
[L2] x 1

Step 7 Adjust the Monitor to Proper Tilt Angle

Use fingernail or tool to open the cover easily. Slightly loosen the bolt with large Allen Key [L2]. Tilt monitor to your desired position. Re-tighten the bolt with large Allen Key [L2] to hold monitor in desired position.



Supplied Hardware for Step 8 and Step 10

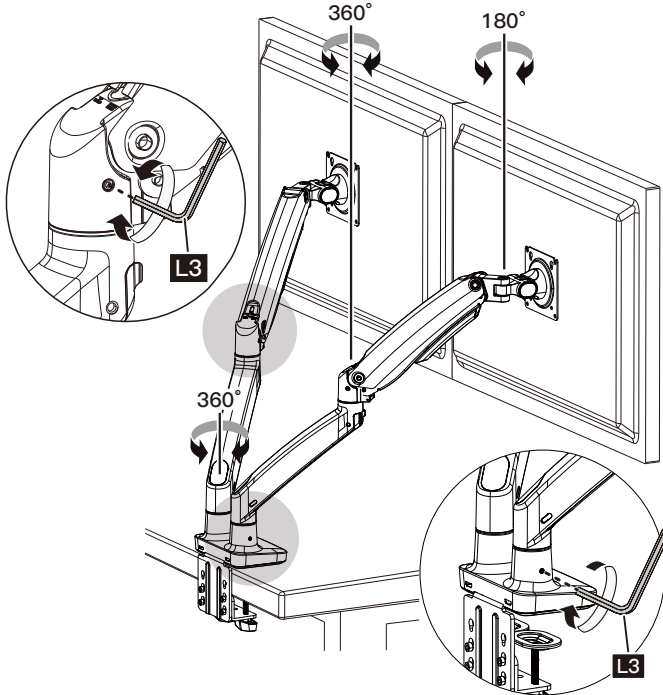



Small Allen Key
1/8" (3mm)
[L3] x 1



Large Allen Key
3/16" (5mm)
[L2] x 1

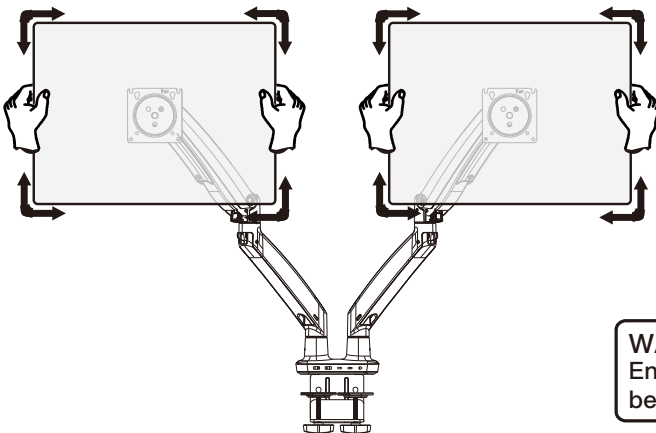
Step 8 Swivel Adjustment



WARNING: 
Do not overtighten or
overloosen the bolts.


Turn adjustment set screw
CLOCKWISE to INCREASE
the swiveling tension.
Turn adjustment set screw
COUNTER-CLOCKWISE to
REDUCE the swiveling
tension.

Step 9 Rotation Adjustment

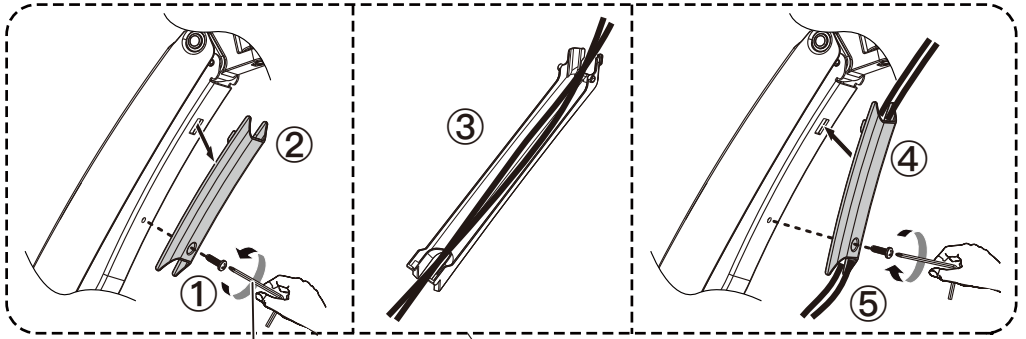


360° Rotation

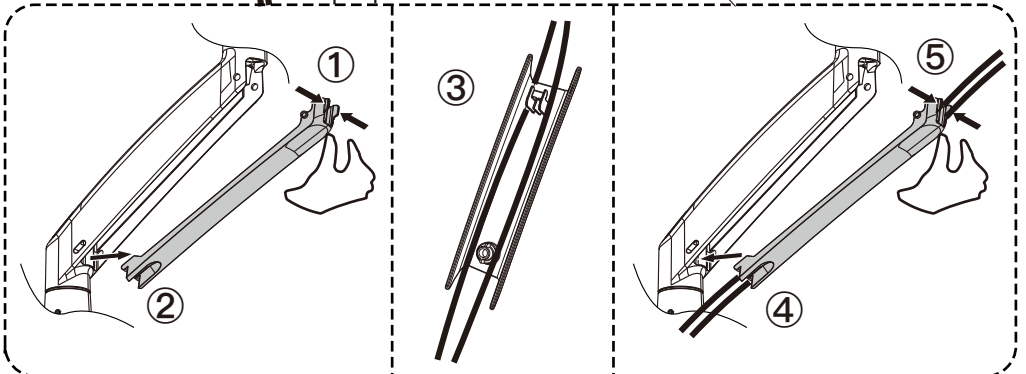
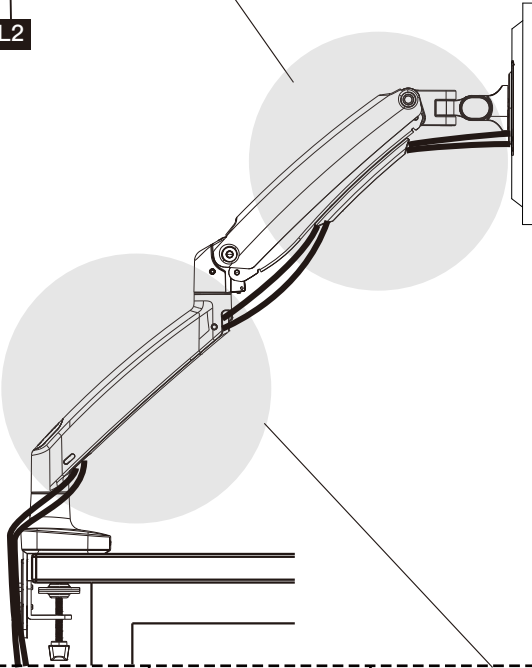
Firmly hold monitor at
edges and rotate from
Landscape to Portrait mode.

WARNING: 
Ensure bolts are secured firmly
before rotation.

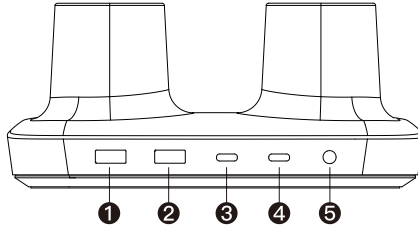
Step 10 Route Cables along the Arm



L2



Introduction of the Docking Station



1&2

- USB-A 3.0. Used to connect to USB Devices to transfer files.
- Output 900mA, USB2.0 500mA.
- Ability to charge smaller devices.

3

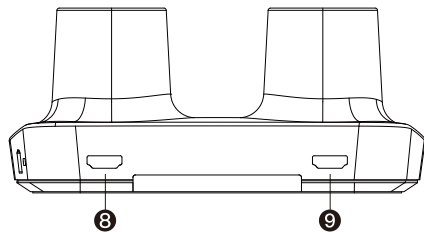
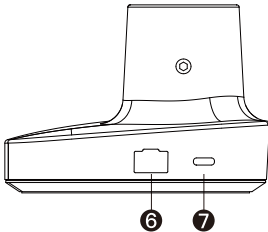
- USB-C Data Port (7.5W). Transfer files up to 5Gbps.
- Charge devices via the 7.5W USB-C port.

4

- Supports up to 75W USB-C for Laptops, Tablets and Phones.
- USB C port referenced as port No. 4 is where your laptop/tablet should be plugged in to utilize the hub.
- After connecting your USB C cable to the Hubs corresponding port, your computer will automatically detect the file ErgoAV by displaying an external drive on your desktop.

5

- 3.5 mm AUX output. Connect earphones or other audio devices.



6

- 1x RJ45 Ethernet Port. Connection speeds of up to 1Gbps.
- Uses CAT5 or CAT6 cable.

7

- 100W PD Input Port.
- 100W PD input is the max power this port can accept.

8

- Media streaming up to 4k resolution via HDMI.
- This port is capable of up 4k streaming at 60Hz. (HDMI-1 is HDMI 2.0.)

9

- Media streaming up to 4k resolution via HDMI.
- This port is capable of up 4k streaming at 30Hz. (HDMI-2 is HDMI 1.4.)
- The 30HZ HDMI port needs to install the drive to use two screens.

System Requirements for Monitor Mounts with Dock

4k@60Hz Operating System(Port 8):

- Win10, Win11 or later
- Mac OS 10.12~13.3.1 versions (support M1 & M2 & Intel chip) or later
- Chrome OS 48.0.2564.82 or later
- iPad OS 12 or later
- Android 9.0 or later
- Linux Kernel 4.6 or later

(Apples website that clearly describes your Apple Intel/Silicon computers capabilities: <https://support.apple.com/en-us/HT213503>)

4k@30Hz Operating System(Port 9):

- Win10, Win11 or later
- Mac OS 10.12~13.3.1 versions (support M1 & M2 & Intel chip) or later

(Windows and macOS require driver installation to use this port.)

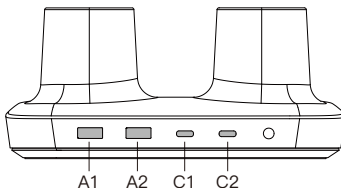
Compatible Devices Include:

Only compatible with laptops/computers and tablets that have a USB type C connection.

Environment:

32° to 104° F / 0° to 40° C

Power Distribution of the Docking Station



Single Port:

A1: 7.5W Max	A2: 7.5W Max	C1: 7.5W Max	C2: 7.5W Max
--------------	--------------	--------------	--------------

Two Ports:

C1: 7.5W Max A1 or A2: 7.5W Max	C2: 7.5W Max A1 or A2: 7.5W Max	A1 & A2: One of the ports 7.5W Max, total 10.8W Max	C1: 7.5W Max C2: 7.5W Max
------------------------------------	------------------------------------	---	------------------------------

Three Ports:

C1: 7.5W Max C2: 7.5W Max A1 or A2: 7.5W Max	C1: 7.5W Max A1 & A2: One of the ports 7.5W Max, total 10.8W Max	C2: 7.5W Max A1 & A2: One of the ports 7.5W Max, total 10.8W Max
---	--	--

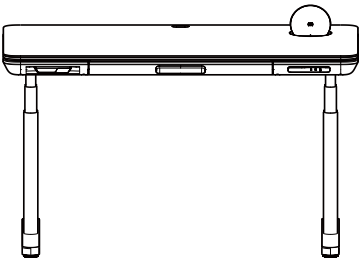
Four Ports:

C1: 7.5W Max C2: 7.5W Max A1 & A2: One of the ports 7.5W Max, total 10.8W Max
--

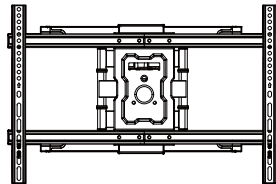


At ErgoAV, we strive to provide the highest value products.
We want to support your purchase.
If you have questions, concerns,
or feedback please let us know!

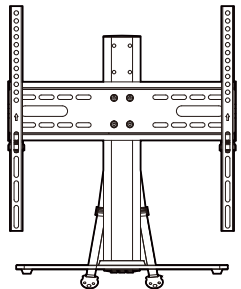
ErgoAV Customer Care
Phone (877) 419-7832
support@ergoav.com



Electric Standing Desk



TV Mount



Tabletop TV Stands

9501 Louisiana Ave N, #200, Brooklyn Park, MN 55445

www.ergoav.com