



The ERTFS5-01BC is 42" wide with a heavy gauge steel frame to accommodate TVs up to 50". The simulated concrete finish compliments today's decor styles. The open architecture design keeps your equipment cool while also providing easy access. Adjustable feet allow for the furniture to be leveled after assembly even if your floors aren't perfect. Cable management clips make it easy to neatly organize cables for a clean look.

Features

- Heavy gauge steel frame provides a strong foundation to hold TVs up to 50" with 150 lbs weight capacity for a variety of components.
- Concrete finish compliments today's décor styles.
- Open architecture designed to keep your equipment cool while also providing easy access.
- Adjustable feet allow the furniture to be leveled after assembly.
- Cable management clips make it easy to neatly organize cables for a clean look.



Compatibility



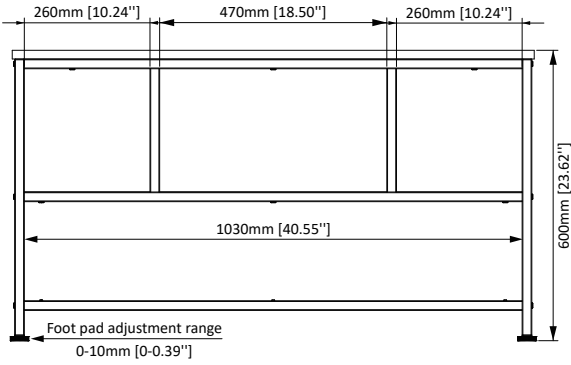
Model Number	ERTFS5-01BC	WARRANTY:	5-Year
---------------------	--------------------	------------------	---------------

Product Specifications	DIMENSIONS (W x H x D)	PRODUCT WEIGHT	LOAD CAPACITY	MATERIAL	AVAILABLE COLORS
	42.52" x 23.62" x 15.75"	45.7 lbs.	150 lbs.	Low Density Fiber Board	Concrete
	1080mm x 600mm x 400mm	20.76 KG	68 KG		

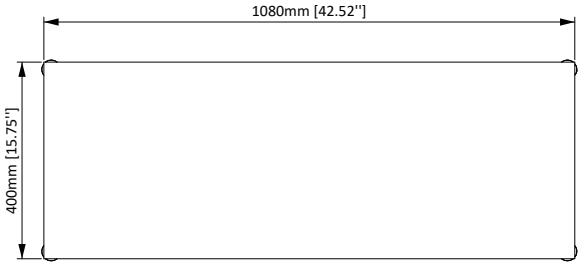
Package Specifications	PACKAGE SIZE (W x H x D)	PACKAGE WEIGHT	PACKAGE UPC CODE	PACKAGE CONTENTS	UNITS IN PACKAGE
	46.45" x 6.29" x 18.89"	53.2 lbs.	810082200119	Product, Manual, Parts	1 Unit
	1180mm x 160mm x 480mm	24.15 KG			

Master Carton Specifications	PACKAGE SIZE (W x H x D)	PACKAGE WEIGHT	UNITS IN CARTON	
	46.45" x 6.29" x 18.89"	53.2 lbs.		1 Unit
	1180mm x 160mm x 480mm	24.15 KG		

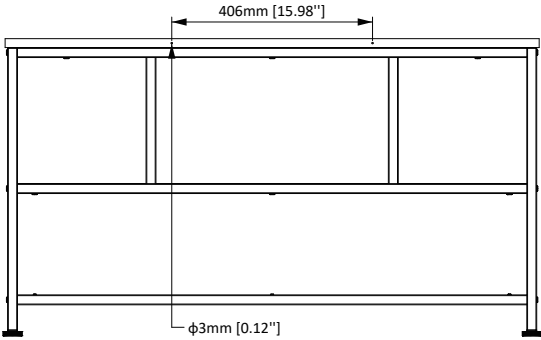
Product Dimensions



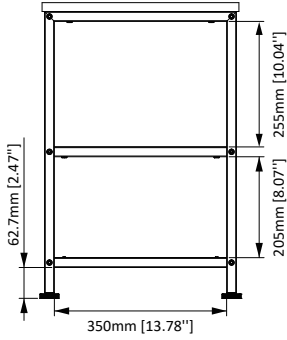
FRONT VIEW



TOP VIEW



BACK VIEW



SIDE VIEW