



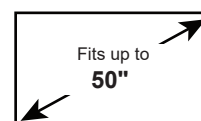
The ERFFS5-01CB is a 42" wide, well crafted cabinet with a durable finish that can accommodate up to 50" TVs. The side cabinet features a slow close door to conceal your equipment while providing easy access. The adjustable shelf is designed to accommodate a variety of components. Slow close media drawers provide additional storage flexibility. Ideal for remote controls, game controllers, media, and more. Stylish steel legs and adjustable feet provide a clean aesthetic while maximizing stability. The Cherry finish provides a classic aesthetic.

Features

- Well crafted cabinet with a durable finish provides a strong foundation to hold up to 50" TVs and 150 lbs weight capacity for a variety of components.
- Side cabinet features an adjustable shelf and slow close door to conceal your equipment while providing easy access.
- Slow close media drawers provide additional storage flexibility. Ideal for remote controls, game controllers, media, and more.
- Stylish steel legs and adjustable feet provide a clean aesthetic while maximizing stability.
- Cherry finish provides a classic aesthetic.



Compatibility



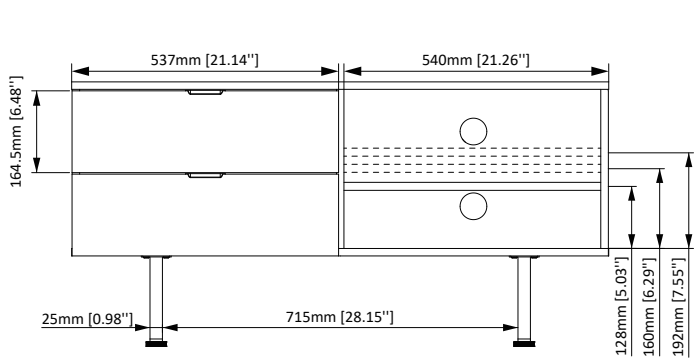
Model Number **ERFFS5-01CB** **WARRANTY:** **5-Year**

Product Specifications	DIMENSIONS (W x H x D)	PRODUCT WEIGHT	LOAD CAPACITY	MATERIAL	AVAILABLE COLORS
	42.52" × 21.65" × 15.75"	56.1 lbs.	150 lbs.	Low Density Fiber Board	Cherry
	1080mm × 550mm × 400mm	25.45 KG	68 KG		

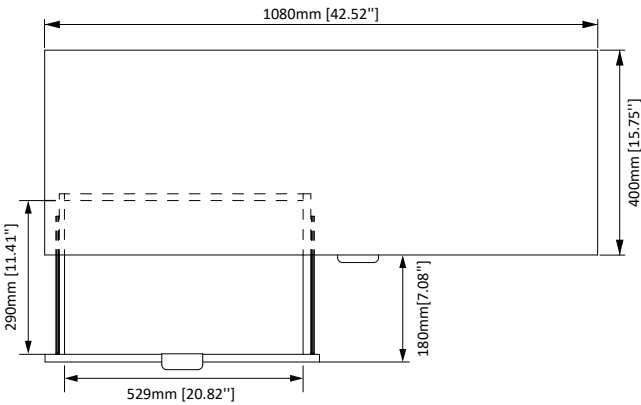
Package Specifications	PACKAGE SIZE (W x H x D)	PACKAGE WEIGHT	PACKAGE UPC CODE	PACKAGE CONTENTS	UNITS IN PACKAGE
	46.25" × 6.1" × 18.7"	65 lbs.	810082201093	Product, Manual, Parts	1 Unit
	1175mm × 155mm × 475mm	29.5 KG			

Master Carton Specifications	PACKAGE SIZE (W x H x D)	PACKAGE WEIGHT	UNITS IN CARTON	
	46.25" × 6.1" × 18.7"	65 lbs.		1 Unit
	1175mm × 155mm × 475mm	29.5 KG		

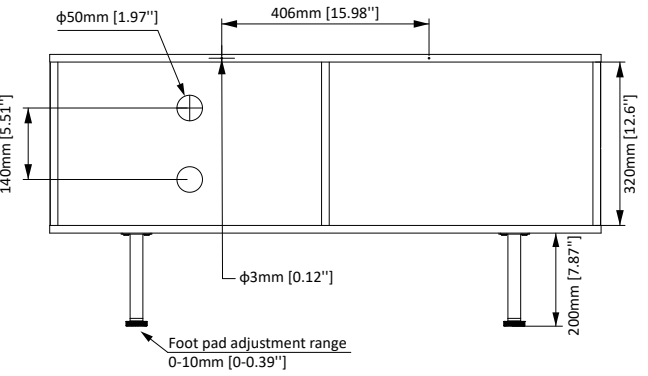
Product Dimensions



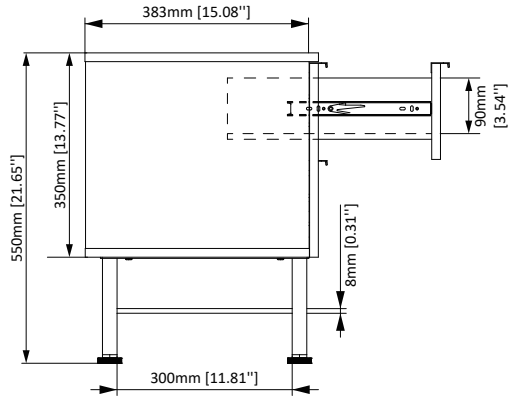
FRONT VIEW



TOP VIEW



BACK VIEW



SIDE VIEW