



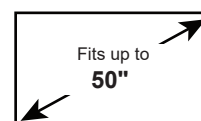
The ERFFS5-01BB is a 42" wide, well crafted cabinet with a durable finish that can accommodate up to 50" TVs. The side cabinet features a slow close door to conceal your equipment while providing easy access. The adjustable shelf is designed to accommodate a variety of components. Slow close media drawers provide additional storage flexibility. Ideal for remote controls, game controllers, media, and more. Stylish steel legs and adjustable feet provide a clean aesthetic while maximizing stability. The Black wood grain finish compliments today's TVs and components.

## Features

- Well crafted cabinet with a durable finish provides a strong foundation to hold up to 50" TVs and 150 lbs weight capacity for a variety of components.
- Side cabinet features an adjustable shelf and slow close door to conceal your equipment while providing easy access.
- Slow close media drawers provide additional storage flexibility. Ideal for remote controls, game controllers, media, and more.
- Stylish steel legs and adjustable feet provide a clean aesthetic while maximizing stability.
- Black wood grain finish compliments today's TVs and components.



## Compatibility



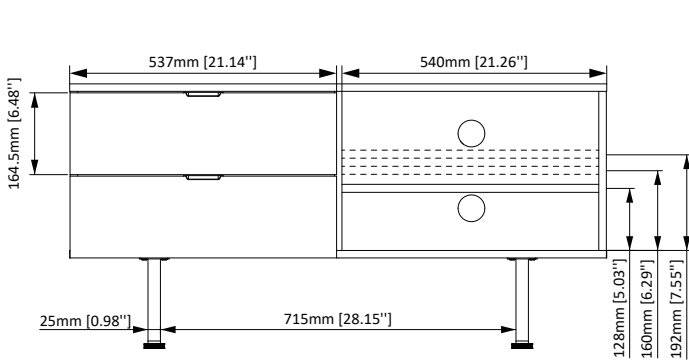
<b>Model Number</b>	<b>ERFFS5-01BB</b>	<b>WARRANTY:</b>	<b>5-Year</b>
---------------------	--------------------	------------------	---------------

<b>Product Specifications</b>	DIMENSIONS (W x H x D)	PRODUCT WEIGHT	LOAD CAPACITY	MATERIAL	AVAILABLE COLORS
	42.52" x 21.65" x 15.75"	54.8 lbs.	150 lbs.	Low Density Fiber Board	Black
	1080mm x 550mm x 400mm	24.9 KG	68 KG		

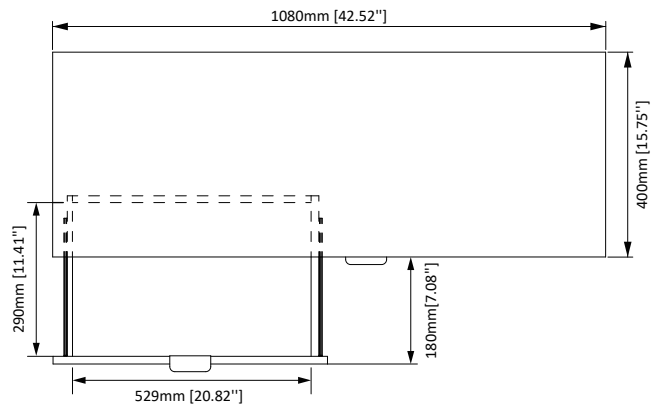
<b>Package Specifications</b>	PACKAGE SIZE (W x H x D)	PACKAGE WEIGHT	PACKAGE UPC CODE	PACKAGE CONTENTS	UNITS IN PACKAGE
	46.25" x 6.1" x 18.7"	63.5 lbs.	810082201086	Product, Manual, Parts	1 Unit
	1175mm x 155mm x 475mm	28.8 KG			

<b>Master Carton Specifications</b>	PACKAGE SIZE (W x H x D)	PACKAGE WEIGHT	UNITS IN CARTON	
	46.25" x 6.1" x 18.7"	63.5 lbs.		
	1175mm x 155mm x 475mm	28.8 KG		

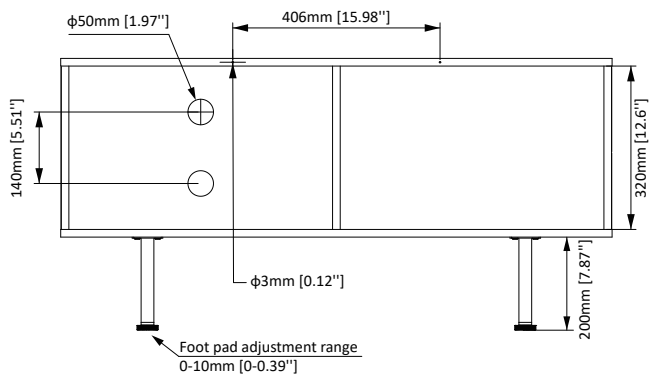
## Product Dimensions



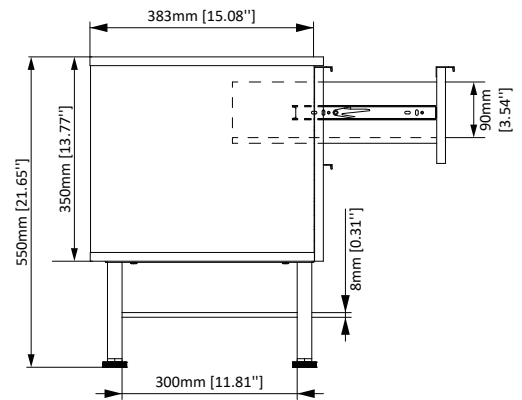
**FRONT VIEW**



**TOP VIEW**



**BACK VIEW**



**SIDE VIEW**