



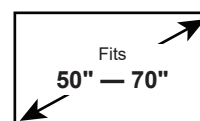
The ERFFL5-01BB is a 63" wide, well crafted cabinet with a durable finish that can accommodate 50"-70" TVs. The side cabinets feature slow close doors to conceal your equipment while providing easy access. The adjustable shelves are designed to accommodate a variety of components. The center slow close media drawers provide additional storage flexibility. The drawers are ideal for remote controls, game controllers, media, and more. Stylish steel legs and adjustable feet provide a clean aesthetic while maximizing stability. The Black wood grain finish compliments today's TVs and components.

### Features

- Well crafted cabinet with a durable finish provides a strong foundation to hold 50"-70" TVs and 150 lbs weight capacity for a variety of components.
- Side cabinet features an adjustable shelf and slow close door to conceal your equipment while providing easy access.
- Center slow close media drawers provide additional storage flexibility. Ideal for remote controls, game controllers, media, and more.
- Stylish steel legs and adjustable feet provide a clean aesthetic while maximizing stability.
- Black wood grain finish compliments today's TVs and components.



### Compatibility



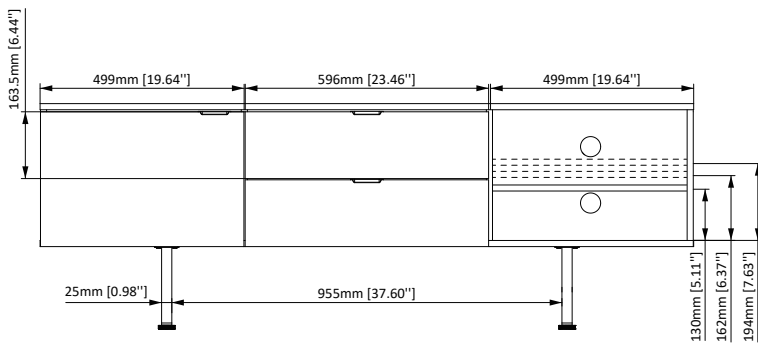
|                     |                    |                  |               |
|---------------------|--------------------|------------------|---------------|
| <b>Model Number</b> | <b>ERFFL5-01BB</b> | <b>WARRANTY:</b> | <b>5-Year</b> |
|---------------------|--------------------|------------------|---------------|

| <b>Product Specifications</b> | <b>DIMENSIONS (W x H x D)</b> | <b>PRODUCT WEIGHT</b> | <b>LOAD CAPACITY</b> | <b>MATERIAL</b>         | <b>AVAILABLE COLORS</b> |
|-------------------------------|-------------------------------|-----------------------|----------------------|-------------------------|-------------------------|
|                               | 62.99" x 21.65" x 15.75"      | 78.2 lbs.             | 150 lbs.             | Low Density Fiber Board | Black                   |
| 1600mm x 550mm x 400mm        | 35.5 KG                       | 68 KG                 |                      |                         |                         |

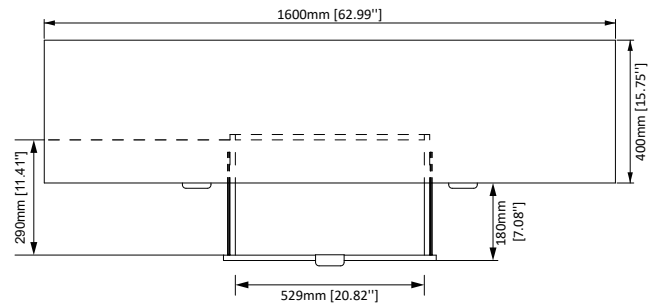
| <b>Package Specifications</b> | <b>PACKAGE SIZE (W x H x D)</b> | <b>PACKAGE WEIGHT</b> | <b>PACKAGE UPC CODE</b> | <b>PACKAGE CONTENTS</b> | <b>UNITS IN PACKAGE</b> |
|-------------------------------|---------------------------------|-----------------------|-------------------------|-------------------------|-------------------------|
|                               | 66.73" x 6.88" x 18.7"          | 91 lbs.               | 810082201109            | Product, Manual, Parts  | 1 Unit                  |
| 1695mm x 175mm x 475mm        | 41.3 KG                         |                       |                         |                         |                         |

| <b>Master Carton Specifications</b> | <b>PACKAGE SIZE (W x H x D)</b> | <b>PACKAGE WEIGHT</b> | <b>UNITS IN CARTON</b> |  |  |
|-------------------------------------|---------------------------------|-----------------------|------------------------|--|--|
|                                     | 66.73" x 6.88" x 18.7"          | 91 lbs.               |                        |  |  |
| 1695mm x 175mm x 475mm              | 41.3 KG                         |                       |                        |  |  |

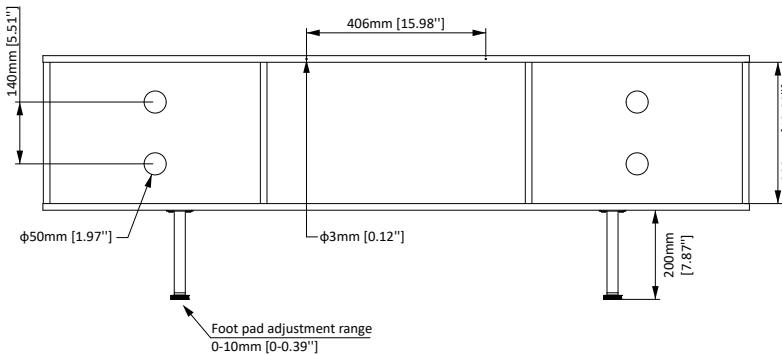
## Product Dimensions



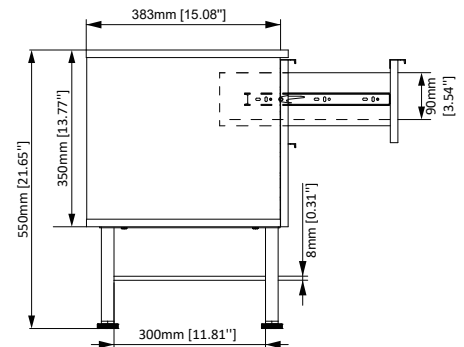
**FRONT VIEW**



**TOP VIEW**



**BACK VIEW**



**SIDE VIEW**