



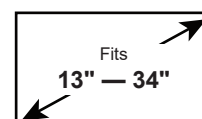
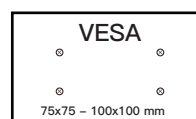
The ERDGM2-01B is a single monitor Desk Mount for Monitors 13-34" weighing between 4.4 and 26 lbs. The gas spring arm provides easy height adjustment - simply move the monitor where you want it, no tools required! Height, swivel, and tilt adjustments allow the monitor to be placed at the optimal position. Versatile mounting options; includes desk clamp, or grommet mount accommodates a variety of desk types. Built in cable management allows cables to be neatly organized creating a clean look.

Features

- Universal compatibility - fits most monitors 13-34" weighing between 4.4 and 26 lbs with VESA 75 x 75 or VESA 100 x 100 hole patterns.
- The gas spring arm provides easy height adjustment - simply move the monitor where you want it, no tools required!
- Height, swivel, and tilt adjustments allow the monitor to be placed at the optimal position.
- Versatile mounting options; includes desk clamp, or grommet mount accommodates a variety of desk types.
- Easy assembly. Step-by-step instruction and universal hardware bag are included in the package.



Monitor Compatibility



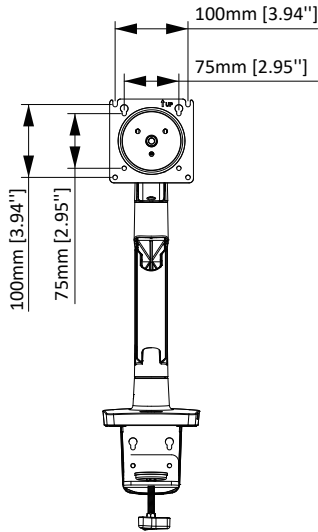
Model Number	ERDGM2-01B	WARRANTY:	5-Year
---------------------	-------------------	------------------	---------------

Product Specifications	DIMENSIONS (W x H x D)	PRODUCT WEIGHT	LOAD CAPACITY	FINISH	AVAILABLE COLORS
	5.21" x 20.47" x 21.65"	8.28 lbs.	4.4 to 26 lbs.	Powder Coating	Black
	132mm x 520mm x 550mm	3.76 KG	2.0 to 11 KG		

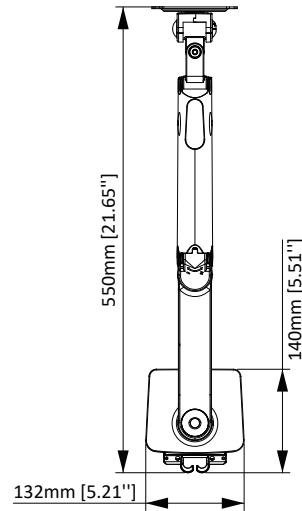
Package Specifications	PACKAGE SIZE (W x H x D)	PACKAGE WEIGHT	PACKAGE UPC CODE	PACKAGE CONTENTS	UNITS IN PACKAGE
	17" x 5.7" x 8.66"	9.92 lbs.	810082200508	Product, Manual, Parts	1 Unit
432mm x 145mm x 220mm	4.5 KG				

Master Carton Specifications	PACKAGE SIZE (W x H x D)	PACKAGE WEIGHT	UNITS IN CARTON		
	17.71" x 17.12" x 9.68"	32.18 lbs.			
450mm x 435mm x 246mm	14.6 KG				

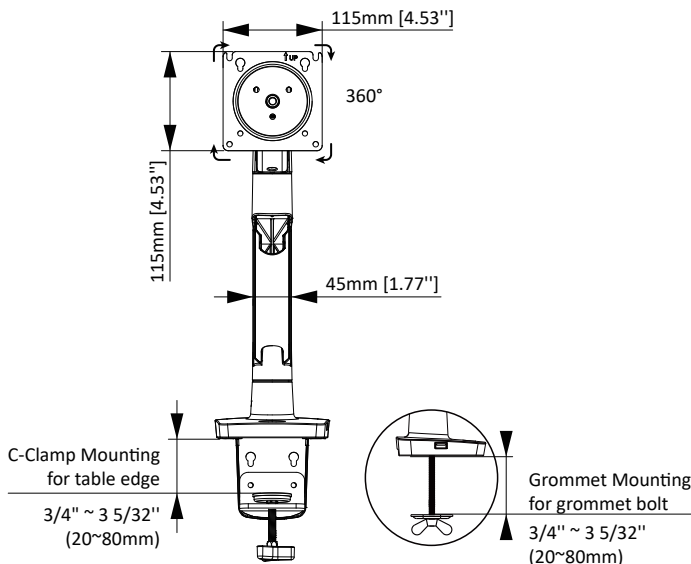
Product Dimensions



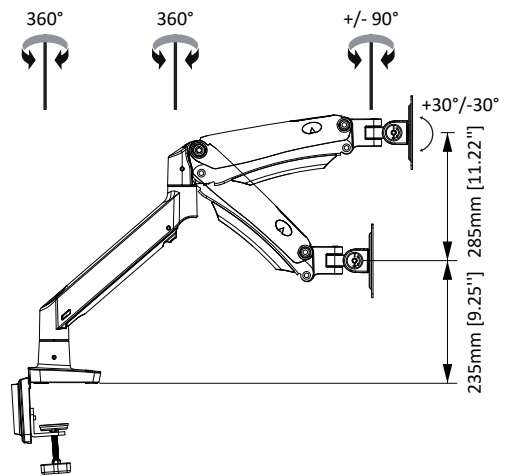
MONITOR INTERFACE



TOP VIEW



FRONT VIEW



SIDE VIEW