



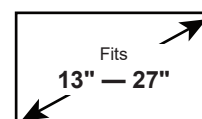
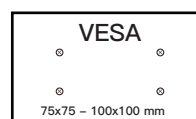
The ERDAS2-01B is a Motion Desk Mount for dual monitors 13-27" and up to 17 lbs. Height, swivel, and tilt adjustments allow each monitors to be placed at the optimal position. Versatile mounting options; includes desk clamp, or grommet mount accommodates a variety of desk types. The built in cable management feature allows cables to be neatly organized creating a clean look.

Features

- Universal compatibility - fits most monitors 13-27" and up to 17 lbs with VESA 75 x 75 or VESA 100 x 100 hole patterns.
- Height, swivel, and tilt adjustments allow each monitors to be placed at the optimal position.
- Versatile mounting options; includes desk clamp or grommet mount accommodates a variety of desk types.
- The built in cable management feature allows cables to be neatly organized creating a clean look.
- Easy assembly. Step-by-step instruction and universal hardware bag are included in the package.



Monitor Compatibility



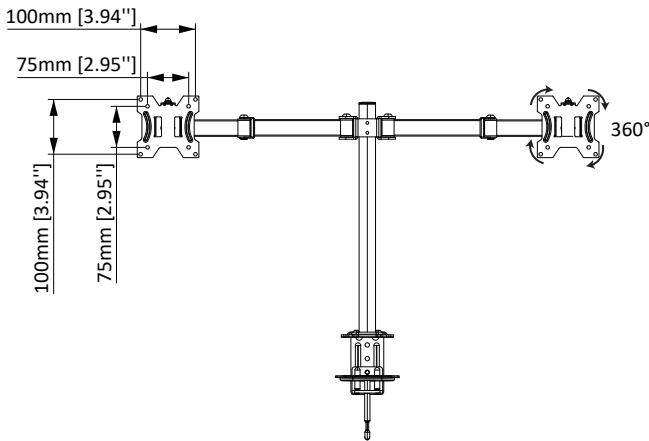
Model Number	ERDAS2-01B	WARRANTY:	5-Year
---------------------	-------------------	------------------	---------------

Product Specifications	DIMENSIONS (W x H x D)	PRODUCT WEIGHT	LOAD CAPACITY	FINISH	AVAILABLE COLORS
	33.26" x 24.21" x 3.34"	6.19 lbs.	17 lbs.	Powder Coating	Black
	845mm x 615mm x 85mm	2.81 KG	7.7 KG		

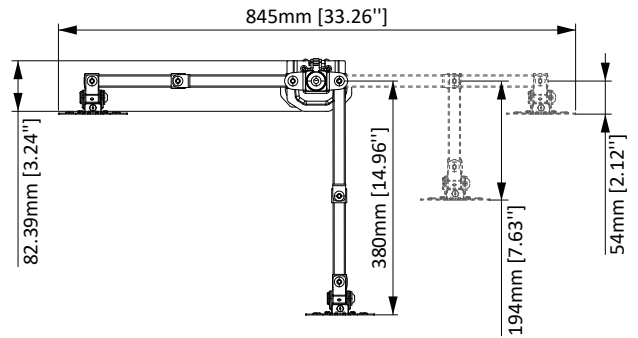
Package Specifications	PACKAGE SIZE (W x H x D)	PACKAGE WEIGHT	PACKAGE UPC CODE	PACKAGE CONTENTS	UNITS IN PACKAGE
	17.51" x 3.38" x 7.36"	7.29 lbs.	810082200324	Product, Manual, Parts	1 Unit
445mm x 86mm x 187mm	3.31 KG				

Master Carton Specifications	PACKAGE SIZE (W x H x D)	PACKAGE WEIGHT	UNITS IN CARTON		
	17.91" x 8.26" x 14.17"	30.29 lbs.			
455mm x 210mm x 360mm	13.74 KG				

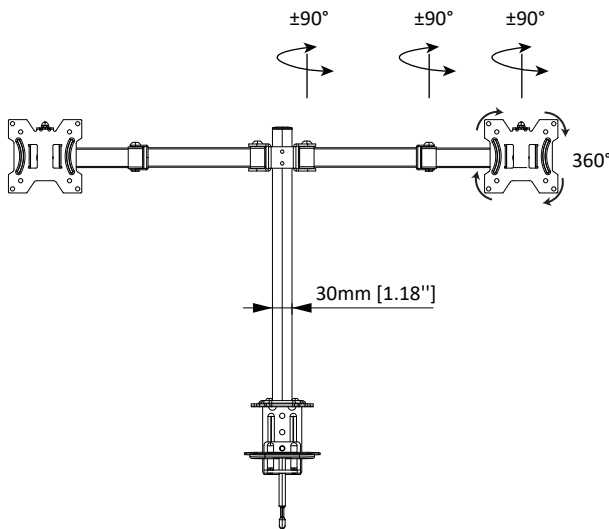
Product Dimensions



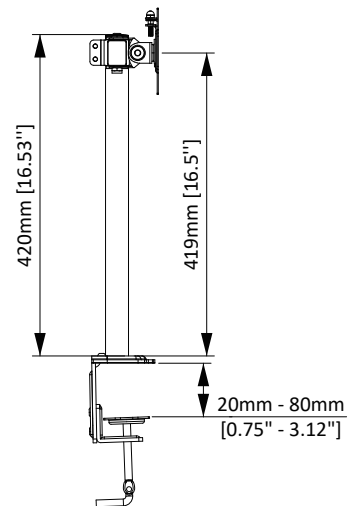
MONITOR INTERFACE



TOP VIEW



FRONT VIEW



SIDE VIEW