



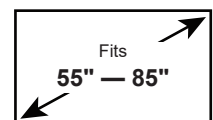
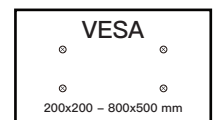
The BETCXL1-01B fits most TVs 55"-85" and up to 200 lbs. The high quality wheels allow TV Cart to be easily moved and locking wheels prevent unwanted movement. Integrated height adjustable shelf holds components, computers, and or accessories weighing up to 10 lbs. Included media top shelf is height adjustable and can support a video camera, game motion sensor, or similiar item. This product has been safety tested and UL Certified.

Features

- Universal Compatibility - fits most TVs 55"-85" with VESA pattern from 200 x 200mm to 800 x 500mm up to 200 lbs.
- Movable & Lockable - High quality wheels allow TV Cart to be easily moved and locking wheels prevent unwanted movement.
- Integrated height adjustable shelf holds components, computers, and or accessories weighing up to 10 lbs.
- Included media top shelf is height adjustable and can support a video camera, game motion sensor, or similiar item.
- Easy assembly. Step-by-step instruction and universal hardware bag are included in the package.



TV Compatibility



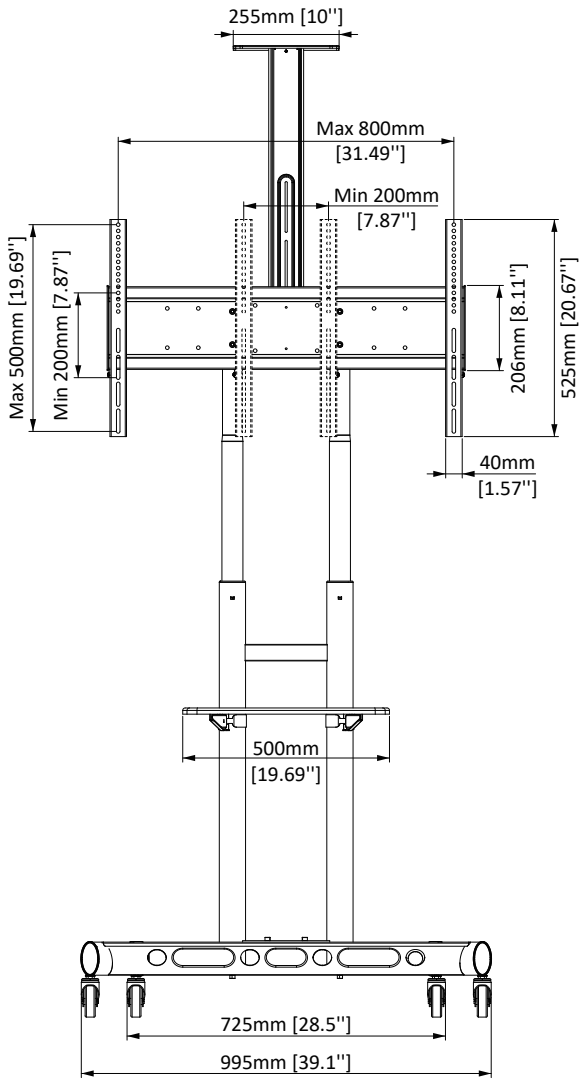
Model Number	BETCXL1-01B	WARRANTY:	5-Year
---------------------	--------------------	------------------	---------------

Product Specifications	DIMENSIONS (W x H x D)	PRODUCT WEIGHT	LOAD CAPACITY	FINISH	AVAILABLE COLORS
	39.17" x 90.55" x 23.74"	66 lbs.	200 lbs.	Powder Coating	Black
	995mm x 2300mm x 603mm	29.9 KG	90 KG		

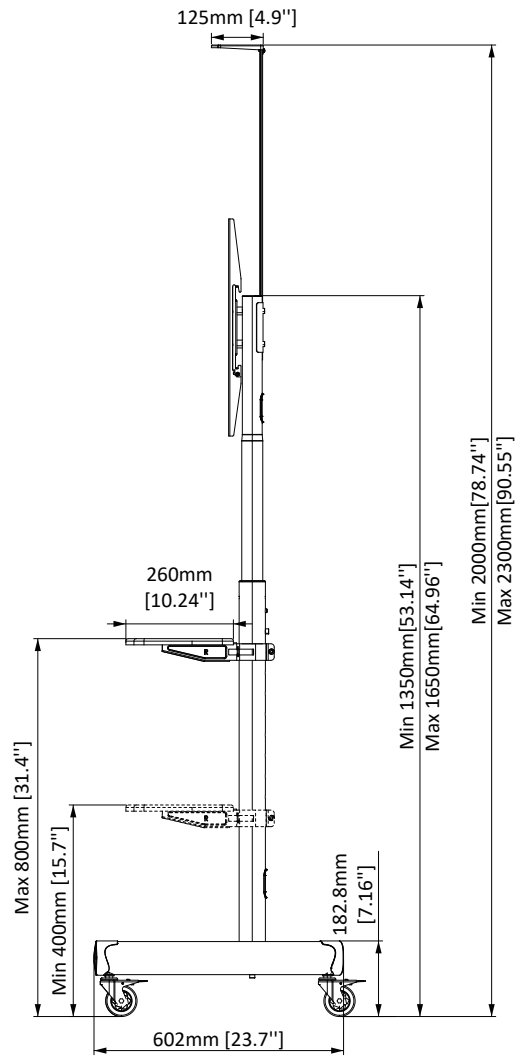
Package Specifications	PACKAGE SIZE (W x H x D)	PACKAGE WEIGHT	PACKAGE UPC CODE	PACKAGE CONTENTS	UNITS IN PACKAGE
	42.48" x 6.14" x 25.03"	68 lbs.	810082200980	Product, Manual, Parts	1 Unit
	1079mm x 156mm x 636mm	31 KG			

Master Carton Specifications	PACKAGE SIZE (W x H x D)	PACKAGE WEIGHT	UNITS IN CARTON		
	42.48" x 6.14" x 25.03"	68 lbs.			1 Unit
	1079mm x 156mm x 636mm	31 KG			

Product Dimensions



FRONT VIEW



SIDE VIEW