



The ERTSM2-01B is a Swiveling Tabletop TV Stand with safety straps for TV's 40" to 55" with an elegant design, including glass base that will match any décor.

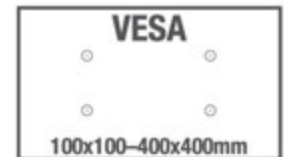
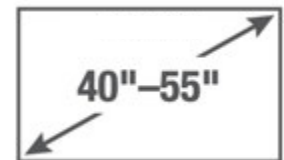
The ERTSM2-01B is a great solution for customers who desire the safety and the viewing angle flexibility of a motion wall mount but who prefer the simplicity of a Tabletop TV stand or who don't have the ability to wall mount their TV.

### Features

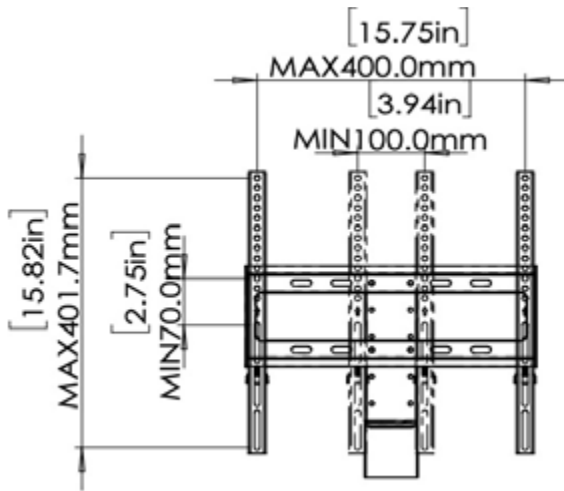
- Included safety straps help prevent TV tip-overs
- 9 different height adjustments allow for optimum TV position and use with soundbars
- Oversized base provides a safe foundation
- Swiveling design allows for increased TV viewing angles



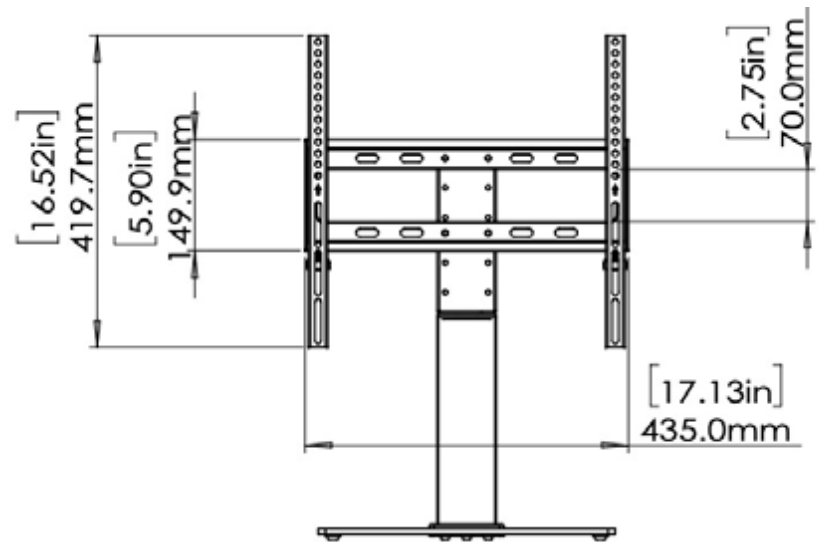
### TV Compatibility



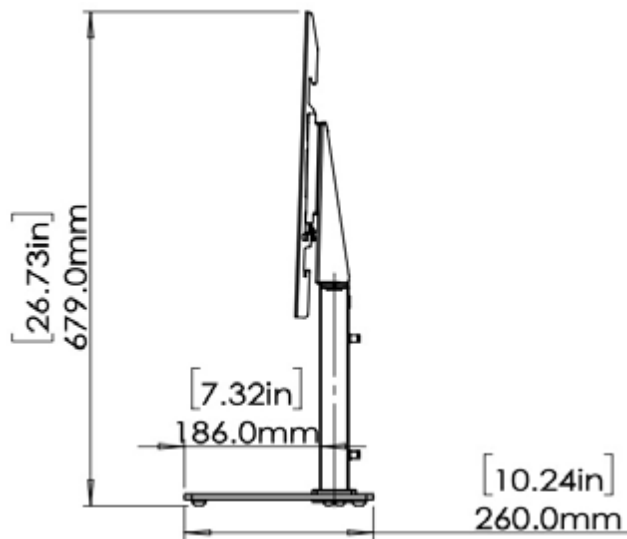
### Product Dimensions



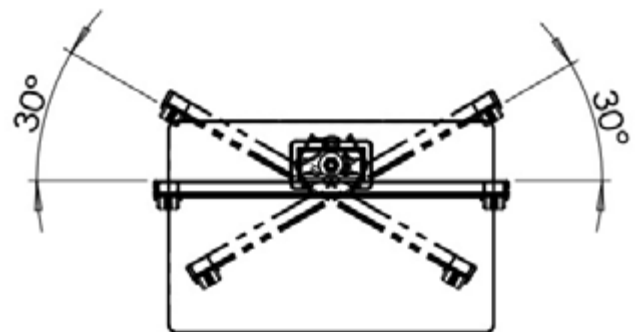
VESA Compatibility



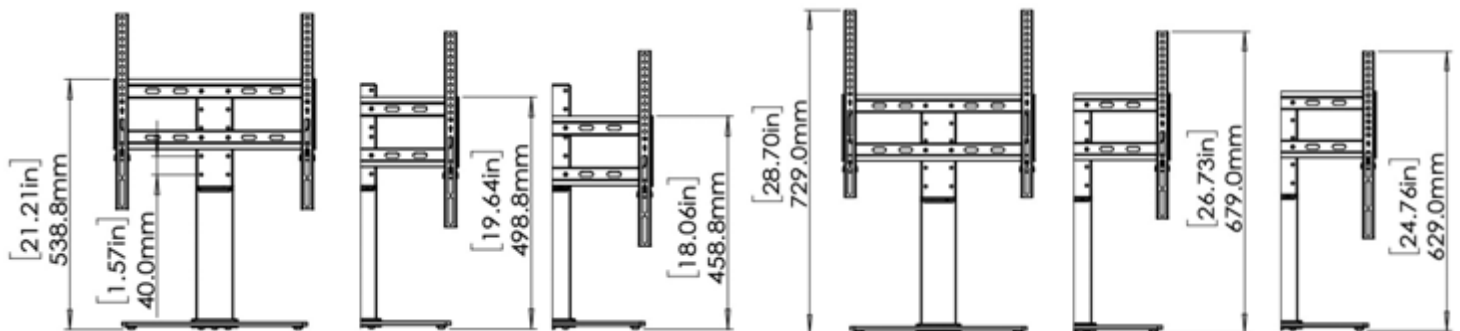
Front View



Side View



Swivel View



TV Height Adjustment Range