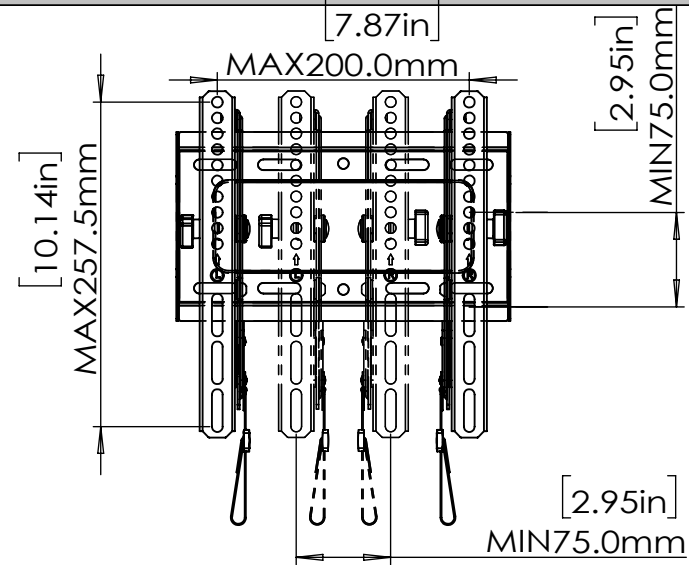


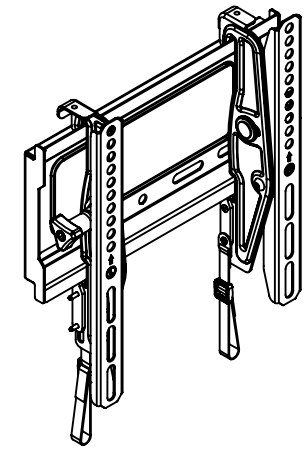
### TV INTERFACE



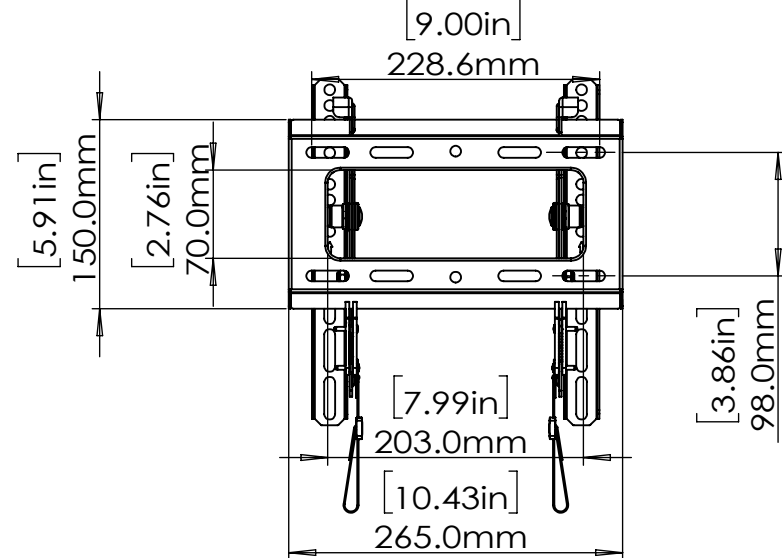
ERMTS1-01B

The information and designs contained in this document are confidential and the proprietary property of BESTERGO, Inc neither the design nor any information contained in this drawing may be reproduced, used, or disclosed to others without the express written permission of BESTERGO, Inc.

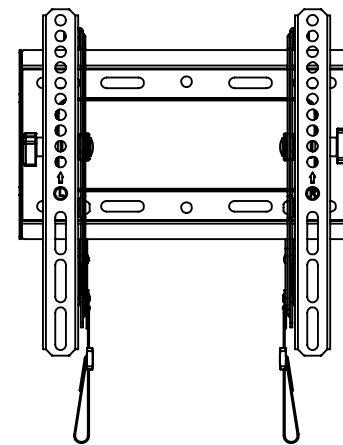
### 3-D View



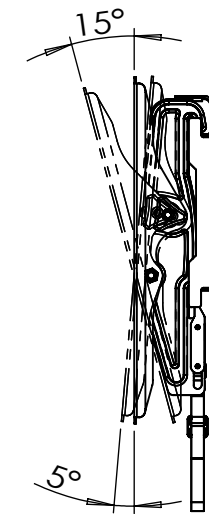
### WALL PLATE



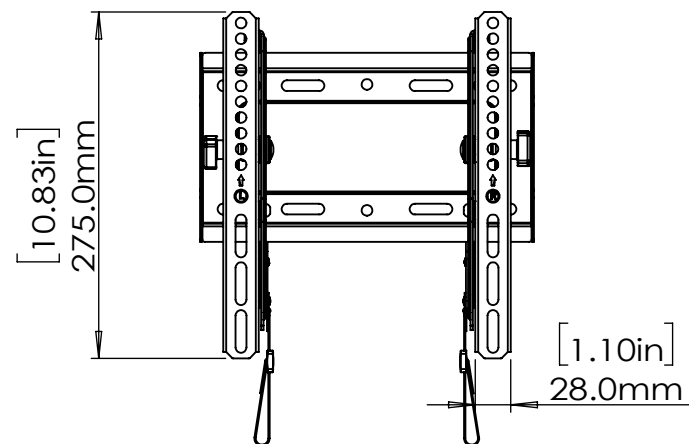
### FRONT VIEW



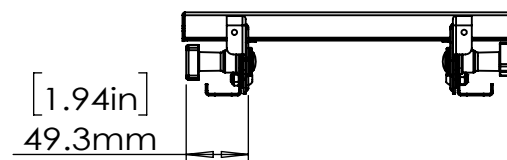
### SIDE VIEW - TILTING



### FULLY ASSEMBLED MOUNT



### TOP VIEW



### SIDE VIEW

