



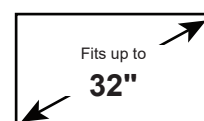
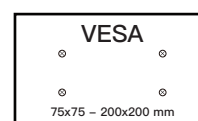
The ERMTS1-01B tilting mount fits most TVs up to 32" and up to 66 lbs. Tilting functionality helps with reducing reflections and enhances the viewing experience. Unique latching mechanism allows TV to be attached securely and removed from wall plate quickly and easily. Horizontal shift allows TV to be moved horizontally on wall plate to allow optimal placement on wall. This product has been safety tested and UL Certified.

## Features

- Universal Compatibility - Fits most TVs up to 32" with VESA pattern from 75 x 75mm to 200 x 200mm weighing up to 66 lbs.
- Tilting functionality helps with reducing reflections and enhances the viewing experience.
- Unique latching mechanism allows TV to be attached securely and removed from wall plate quickly and easily.
- Horizontal shift allows TV to be moved horizontally on wall plate to allow optimal placement on wall.
- Easy three step installation. Step-by-step instruction, wall plate template, and universal hardware bag are included in the package.



## TV Compatibility



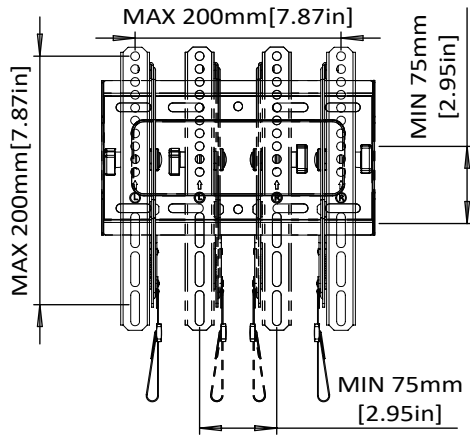
**Model Number** ERMTS1-01B **WARRANTY:** 5-Year

Product Specifications	DIMENSIONS (W x H x D)	PRODUCT WEIGHT	LOAD CAPACITY	FINISH	AVAILABLE COLORS
	10.43" x 10.82" x 2.59"	2.44 lbs.	66 lbs.	Powder Coating	Black
	265mm x 275mm x 66mm	1.11 KG	26.94 KG		

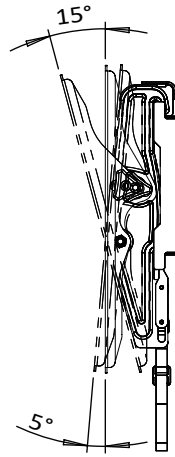
Package Specifications	PACKAGE SIZE (W x H x D)	PACKAGE WEIGHT	PACKAGE UPC CODE	PACKAGE CONTENTS	UNITS IN PACKAGE
	11.73" x 2.71" x 6.18"	3.68 lbs.	810082200164	Product, Manual, Parts	1 Unit
	298mm x 69mm x 157mm	1.67 KG			

Master Carton Specifications	PACKAGE SIZE (W x H x D)	PACKAGE WEIGHT	UNITS IN CARTON	
	12.79" x 8.93" x 12.79"	22.99 lbs.		6 Unit
	325mm x 227mm x 325mm	10.43 KG		

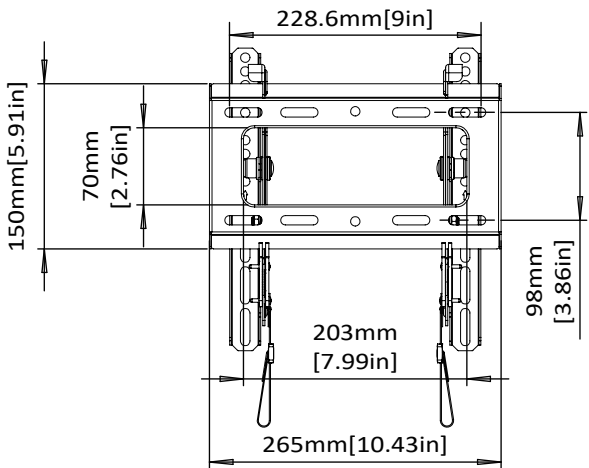
**Product Dimensions**



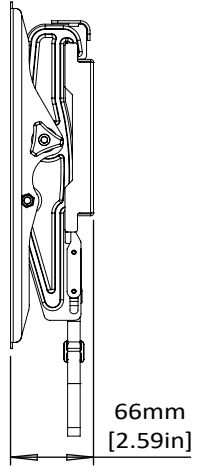
**TV INTERFACE**



**SIDE VIEW - TILTING**



**WALL PLATE**



**SIDE VIEW**