



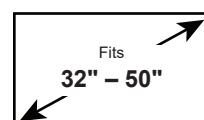
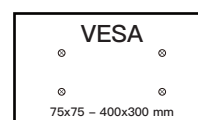
The ERMTM2-01B tilting mount fits most TVs 32" to 50" and up to 99 lbs. Tilting functionality helps with reducing reflections and enhances the viewing experience. Unique latching mechanism allows TV to be attached securely and removed from wall plate quickly and easily. Horizontal shift allows TV to be moved horizontally on wall plate to allow optimal placement on wall. This product has been safety tested and UL Certified.

## Features

- Universal Compatibility - Fits most 32"-50" TVs with VESA pattern from 75 x 75mm to 400 x 300mm weighing up to 99 lbs.
- Tilting functionality helps with reducing reflections and enhances the viewing experience.
- Unique latching mechanism allows TV to be attached securely and removed from wall plate quickly and easily.
- Horizontal shift allows TV to be moved horizontally on wall plate to allow optimal placement on wall.
- Easy three step installation. Step-by-step instruction, wall plate template, and universal hardware bag are included in the package.



## TV Compatibility



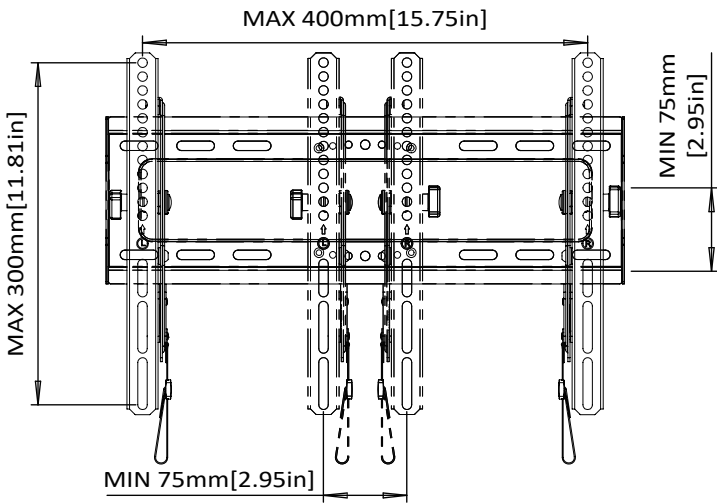
<b>Model Number</b>	<b>ERMTM2-01B</b>	<b>WARRANTY:</b>	<b>5-Year</b>
---------------------	-------------------	------------------	---------------

<b>Product Specifications</b>	DIMENSIONS (W x H x D)	PRODUCT WEIGHT	LOAD CAPACITY	FINISH	AVAILABLE COLORS
	18.33" x 12.79" x 2.61"	3.44 lbs.	99 lbs.	Powder Coating	Black
	465.6mm x 325mm x 66.3mm	1.56 KG	45 KG		

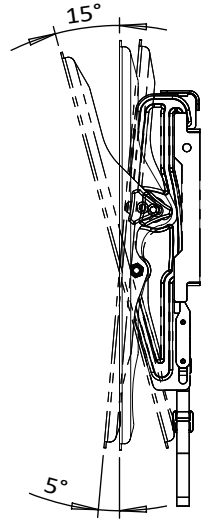
<b>Package Specifications</b>	PACKAGE SIZE (W x H x D)	PACKAGE WEIGHT	PACKAGE UPC CODE	PACKAGE CONTENTS	UNITS IN PACKAGE
	19.33" x 2.95" x 6.22"	5.09 lbs.	810082200171	Product, Manual, Mounting Template, Parts	1 Unit
	491mm x 75mm x 158mm	2.31 KG			

<b>Master Carton Specifications</b>	PACKAGE SIZE (W x H x D)	PACKAGE WEIGHT	UNITS IN CARTON	
	19.76" x 9.56" x 13.3"	31.76 lbs.		6 Unit
	502mm x 243mm x 338mm	14.41 KG		

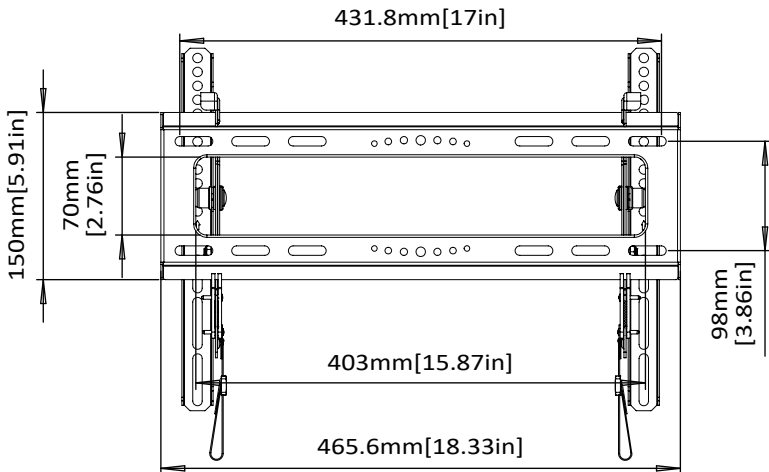
**Product Dimensions**



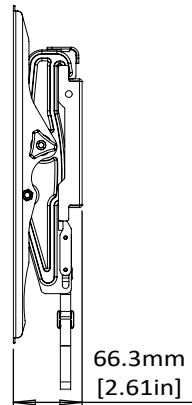
**TV INTERFACE**



**SIDE VIEW - TILTING**



**WALL PLATE**



**SIDE VIEW**