



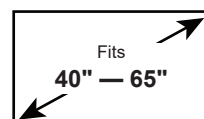
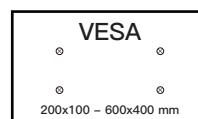
The ERMSL1-01B corner mount fits most TVs 40" to 65" and up to 99 lbs. Unique design allows for up to a 65" TV to be mounted in the corner. Motion Mounts allow the TV to be easily extended away from the wall, swiveled left or right and tilted, making it possible for you to get optimal viewing in any seating location. Level adjust allows the TV to be properly leveled after installation. This product has been safety tested and UL Certified.

Features

- Universal Compatibility - Fits most 40"-65" TVs with VESA pattern from 200 x 100mm to 600 x 400mm weighing up to 99 lbs.
- Unique design allows for up to a 65" TV to be mounted in the corner.
- Motion Mounts allow the TV to be easily extended away from the wall, swiveled left or right and tilted, making it possible for you to get optimal viewing in any seating location.
- Level adjust allows the TV to be properly leveled after installation
- Easy three step installation. Step-by-step instruction, wall plate template, and universal hardware bag are included in the package.



TV Compatibility



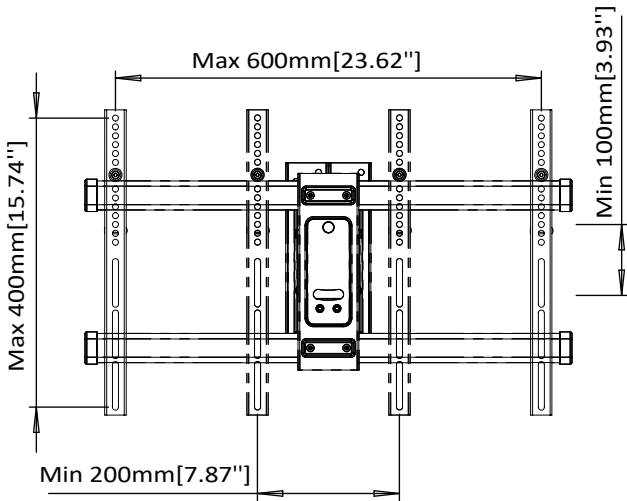
Model Number	ERMSL1-01B	WARRANTY:	5-Year
---------------------	-------------------	------------------	---------------

Product Specifications	DIMENSIONS (W x H x D)	PRODUCT WEIGHT	LOAD CAPACITY	FINISH	AVAILABLE COLORS
	27" x 16.92" x 22"	14.15 lbs.	99 lbs.	Powder Coating	Black
	686mm x 430mm x 559mm	6.42 KG	45 KG		

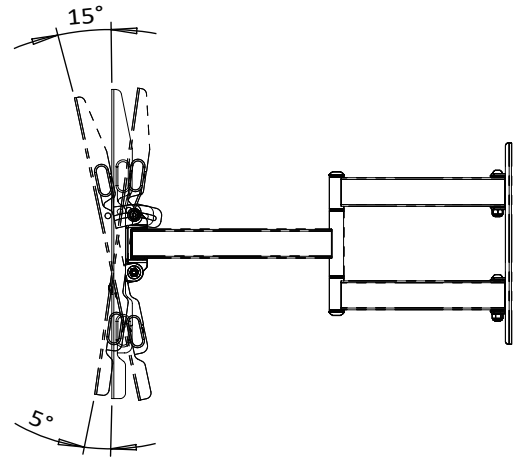
Package Specifications	PACKAGE SIZE (W x H x D)	PACKAGE WEIGHT	PACKAGE UPC CODE	PACKAGE CONTENTS	UNITS IN PACKAGE
	29.72" x 2.95" x 12"	16.93 lbs.	810082200157	Product, Manual, Mounting Template, Parts	1 Unit
755mm x 75mm x 305mm	7.68 KG				

Master Carton Specifications	PACKAGE SIZE (W x H x D)	PACKAGE WEIGHT	UNITS IN CARTON		
	30" x 6.49" x 12.67"	38.33 lbs.	2 Unit		
762mm x 165mm x 322mm	17.39 KG				

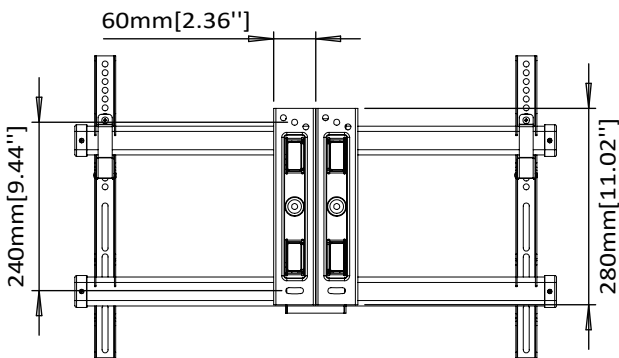
Product Dimensions



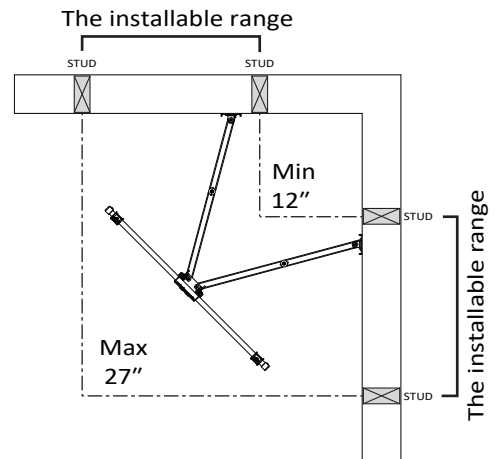
TV INTERFACE



SIDE VIEW - TILTING



WALL PLATE



TOP VIEW