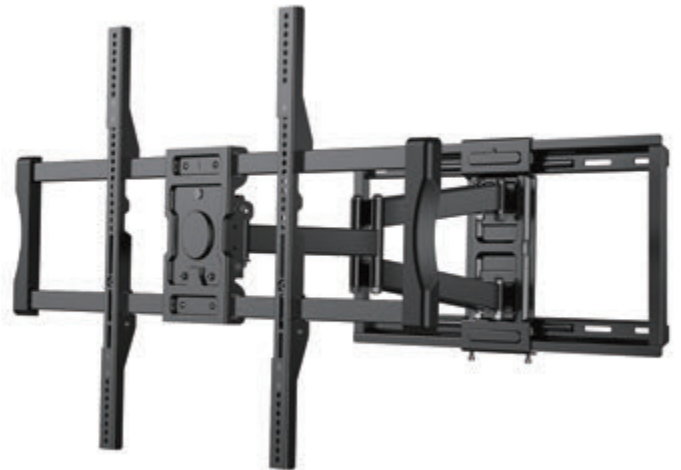




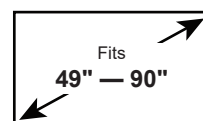
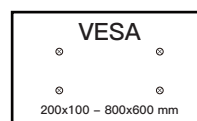
The ERMMX1-01B motion mount fits most TVs 49" to 90" and up to 132 lbs. This mount extends 24.25" from the wall and can be swiveled left or right and tilted, making it possible for you to get optimal viewing in any seating location. Level adjust allows the TV to be properly leveled after installation. Horizontal shift allows TV to be moved horizontally on wall plate to allow optimal placement on wall. This product has been safety tested and UL Certified.

## Features

- Universal Compatibility - Fits most TVs 49-90" with VESA pattern from 200 x 100mm to 800 x 600mm weighing up to 132 lbs.
- Motion Mounts allow the TV to be easily extended away from the wall, swiveled left or right and tilted, making it possible for you to get optimal viewing in any seating location.
- Level adjust allows the TV to be properly leveled after installation.
- Horizontal shift allows TV to be moved horizontally on wall plate to allow optimal placement on wall.
- Easy three step installation. Step-by-step instruction, wall plate template, and universal hardware bag are included in the package.



## TV Compatibility



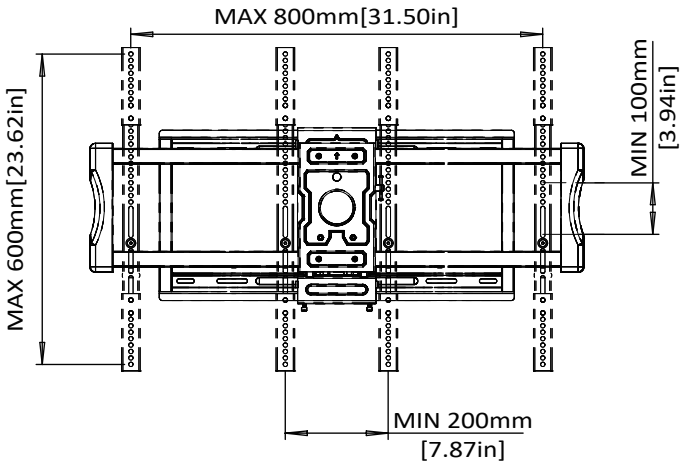
<b>Model Number</b>	<b>ERMMX1-01B</b>	<b>WARRANTY:</b>	<b>5-Year</b>
---------------------	-------------------	------------------	---------------

<b>Product Specifications</b>	DIMENSIONS (W x H x D)	PRODUCT WEIGHT	LOAD CAPACITY	FINISH	AVAILABLE COLORS
	37.77" x 24.71" x 24.44"	29.43 lbs.	132 lbs.	Powder Coating	Black
	959.5mm x 627.8mm x 620.8mm	13.35 KG	59 KG		

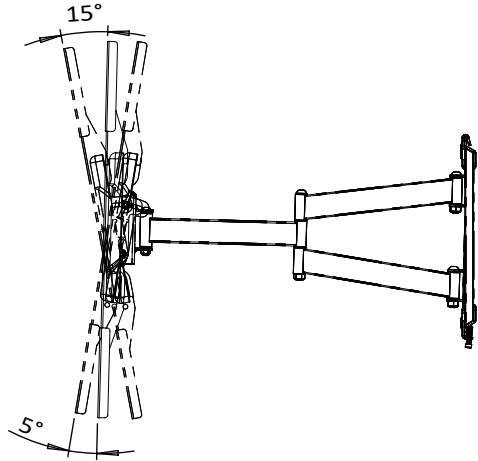
<b>Package Specifications</b>	PACKAGE SIZE (W x H x D)	PACKAGE WEIGHT	PACKAGE UPC CODE	PACKAGE CONTENTS	UNITS IN PACKAGE
	37.99" x 4.92" x 16.53"	36.42 lbs.	810082200942	Product, Manual, Mounting Template, Parts	1 Unit
	965mm x 125mm x 420mm	16.52 KG			

<b>Master Carton Specifications</b>	PACKAGE SIZE (W x H x D)	PACKAGE WEIGHT	UNITS IN CARTON		
	38.58" x 6.1" x 17.32"	39.55 lbs.			
	980mm x 155mm x 440mm	17.94 KG			

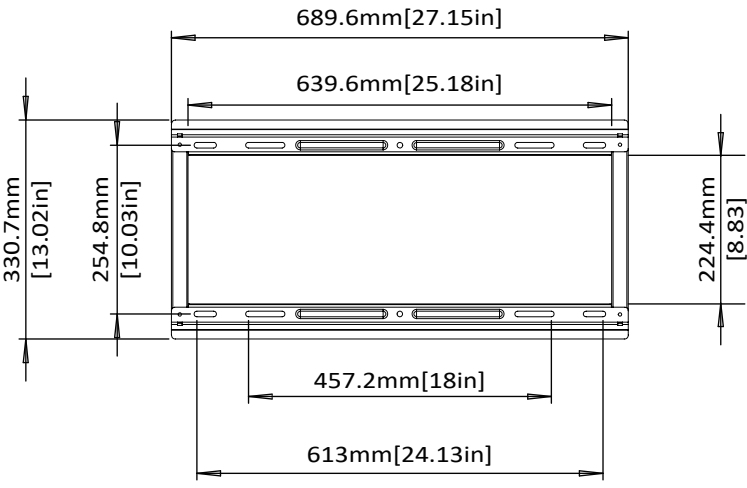
**Product Dimensions**



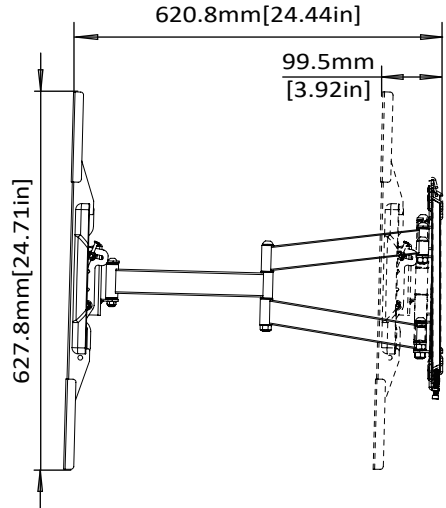
**TV INTERFACE**



**SIDE VIEW - TILTING**



**WALL PLATE**



**SIDE VIEW**