



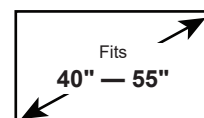
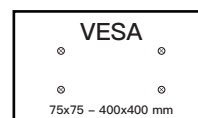
The ERMMM1-01B motion mount fits most TVs 40" to 55" and up to 77 lbs. This single stud mount extends 19.5" from the wall and can be swiveled left or right and tilted, making it possible for you to get optimal viewing in any seating location. Level adjust allows the TV to be properly leveled after installation. This product has been safety tested and UL Certified.

Features

- Universal Compatibility - Fits most TVs 40-55" with VESA pattern from 75 x 75mm to 400 x 400mm weighing up to 77 lbs.
- Motion Mounts allow the TV to be easily extended away from the wall, swiveled left or right and tilted, making it possible for you to get optimal viewing in any seating location.
- Level adjust allows the TV to be properly leveled after installation.
- Cable Management system creates a neat and clean appearance, even when mount is fully extended.
- Easy three step installation. Step-by-step instruction, wall plate template, and universal hardware bag are included in the package.



TV Compatibility



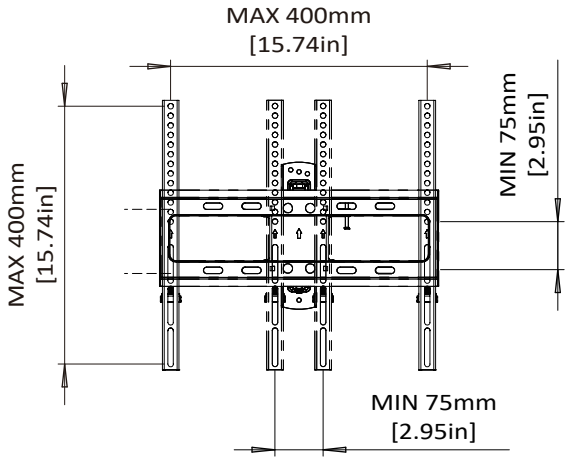
Model Number	ERMMM1-01B	WARRANTY:	5-Year
---------------------	-------------------	------------------	---------------

Product Specifications	DIMENSIONS (W x H x D)	PRODUCT WEIGHT	LOAD CAPACITY	FINISH	AVAILABLE COLORS
	17.12" x 16.53" x 19.51"	6.5 lbs.	77 lbs.	Powder Coating	Black
	435mm x 420mm x 495.6mm	2.95 KG	35 KG		

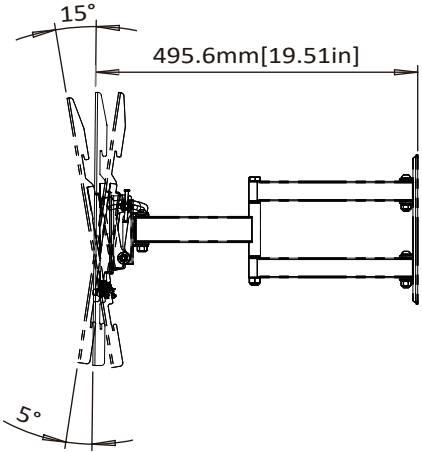
Package Specifications	PACKAGE SIZE (W x H x D)	PACKAGE WEIGHT	PACKAGE UPC CODE	PACKAGE CONTENTS	UNITS IN PACKAGE
	20.07" x 4.13" x 11.02"	9.26 lbs.	810082200034	Product, Manual, Mounting Template, Parts	1 Unit
510mm x 105mm x 280mm	4.2 KG				

Master Carton Specifications	PACKAGE SIZE (W x H x D)	PACKAGE WEIGHT	UNITS IN CARTON	
	20.47" x 17.12" x 11.81"	39 lbs.		
520mm x 435mm x 300mm	17.71 KG			

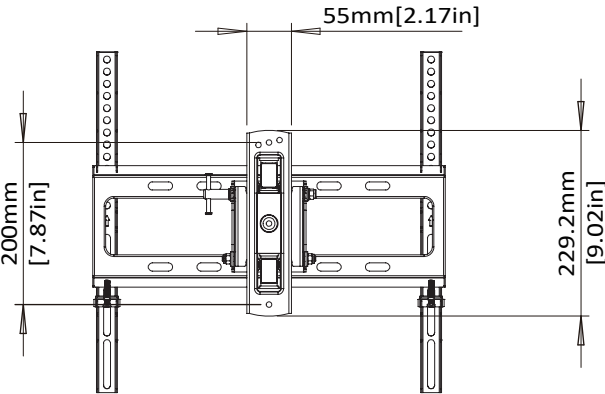
Product Dimensions



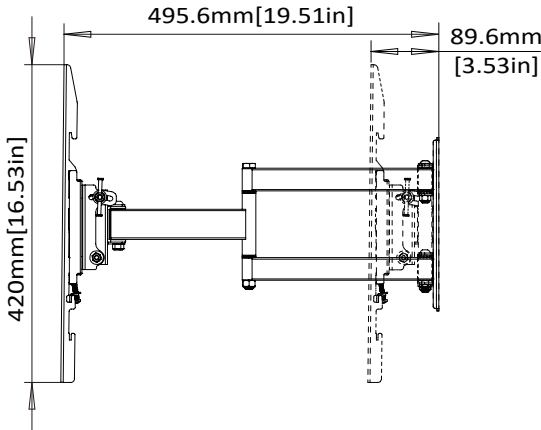
TV INTERFACE



SIDE VIEW - TILTING



WALL PLATE



SIDE VIEW