



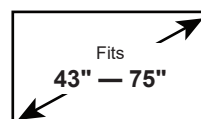
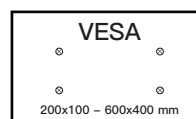
The ERMML1-01B motion mount fits most TVs 43" to 75" and up to 132 lbs. This mount extends 24.2" from the wall and can be swiveled left or right and tilted, making it possible for you to get optimal viewing in any seating location. Level adjust allows the TV to be properly leveled after installation. Horizontal shift allows TV to be moved horizontally on wall plate to allow optimal placement on wall. This product has been safety tested and UL Certified.

Features

- Universal Compatibility - Fits most TVs 43-75" with VESA pattern from 200 x 100mm to 600 x 400mm weighing up to 132 lbs.
- Motion Mounts allow the TV to be easily extended away from the wall, swiveled left or right and tilted, making it possible for you to get optimal viewing in any seating location.
- Level adjust allows the TV to be properly leveled after installation.
- Horizontal shift allows TV to be moved horizontally on wall plate to allow optimal placement on wall.
- Easy three step installation. Step-by-step instruction, wall plate template, and universal hardware bag are included in the package.



TV Compatibility



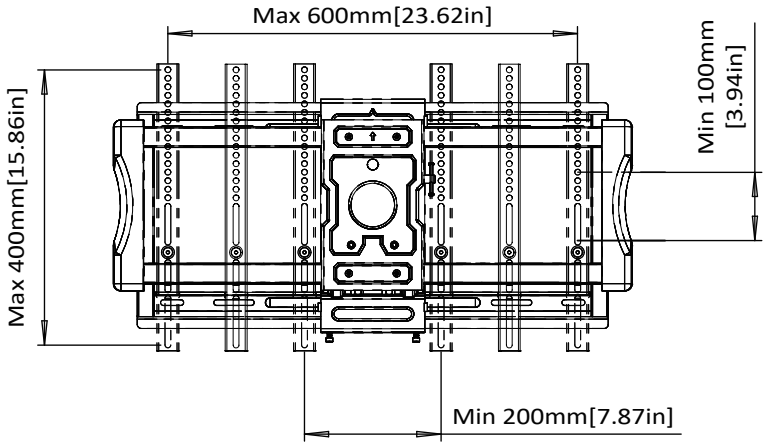
Model Number	ERMML1-01B	WARRANTY:	5-Year
---------------------	-------------------	------------------	---------------

Product Specifications	DIMENSIONS (W x H x D)	PRODUCT WEIGHT	LOAD CAPACITY	FINISH	AVAILABLE COLORS
	29.9" x 16.53" x 24.22"	27.33 lbs.	132 lbs.	Powder Coating	Black
	759.5mm x 420mm x 615.3mm	12.4 KG	60 KG		

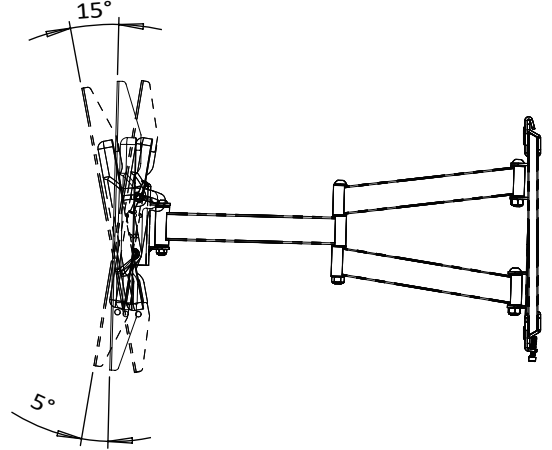
Package Specifications	PACKAGE SIZE (W x H x D)	PACKAGE WEIGHT	PACKAGE UPC CODE	PACKAGE CONTENTS	UNITS IN PACKAGE
	31.29" x 5.31" x 16.53"	33.51 lbs.	810082200072	Product, Manual, Mounting Template, Parts	1 Unit
795mm x 135mm x 420mm	15.2 KG				

Master Carton Specifications	PACKAGE SIZE (W x H x D)	PACKAGE WEIGHT	UNITS IN CARTON	
	31.89" x 6.1" x 17.12"	36.11 lbs.	1 Unit	
810mm x 155mm x 435mm	16.38 KG			

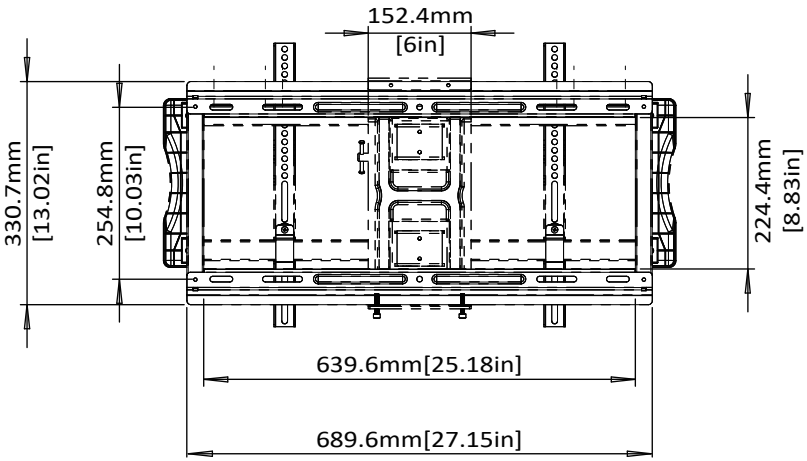
Product Dimensions



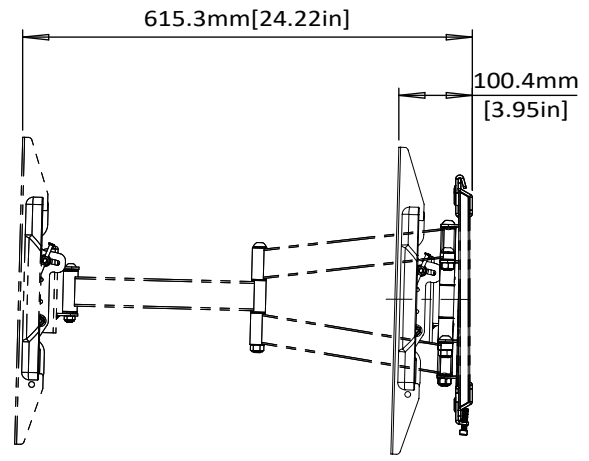
TV INTERFACE



SIDE VIEW - TILTING



WALL PLATE



SIDE VIEW