



The ERSSL1-01B is designed to hold medium to large bookshelf speakers weighing up to 22 lbs. The adjustable feet or spikes level stand on uneven floors and improve acoustics. Built in cable management allows cables to run through the pillar to create a clean and finished look. Steel pillar and glass base provide a strong and stylish foundation for your speaker. 28" height places the speaker at optimum listening level.

Features

- Heavy duty design holds medium to large bookshelf speakers weighing up to 22 lbs.
- Adjustable feet or spikes level stand on uneven floors and improve acoustics.
- Cable management - cables run through pillar to create a clean look.
- Solid Foundation - steel pillar and glass base provide a strong and stylish foundation for your speaker.
- 28" Tall to place the speaker at optimum listening level.



Compatible with most
Bookshelf Speakers



Max
22 lbs. /
10 kg

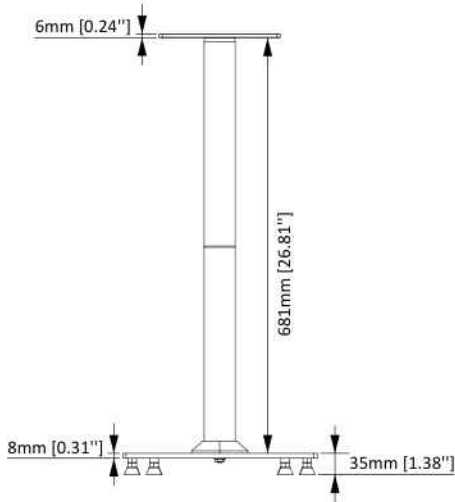
Model Number	ERSSL1-01B	WARRANTY:	5-Year
---------------------	-------------------	------------------	---------------

Product Specifications	DIMENSIONS (W x H x D)	PRODUCT WEIGHT	LOAD CAPACITY	FINISH	AVAILABLE COLORS
	12.5" x 28.4" x 12.6"	15.3 lbs.	22 lbs.	Powder Coating	Black
	318.3mm x 722mm x 320mm	6.96 KG	10 KG		

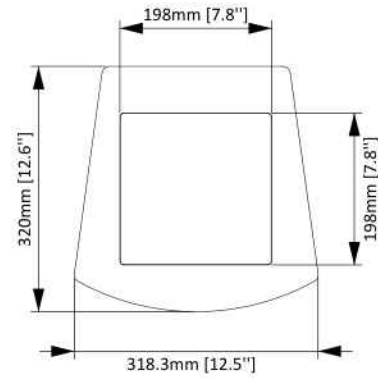
Package Specifications	PACKAGE SIZE (W x H x D)	PACKAGE WEIGHT	PACKAGE UPC CODE	PACKAGE CONTENTS	UNITS IN PACKAGE
	20.4" x 6.4" x 14.6"	18.3 lbs.	810082200287	Product, Manual, Parts	1 Unit
517mm x 163mm x 372mm	8.29 KG				

Master Carton Specifications	PACKAGE SIZE (W x H x D)	PACKAGE WEIGHT	UNITS IN CARTON	
	20.9" x 13.4" x 15.4"	38 lbs.		
530mm x 340mm x 390mm	17.24 KG			

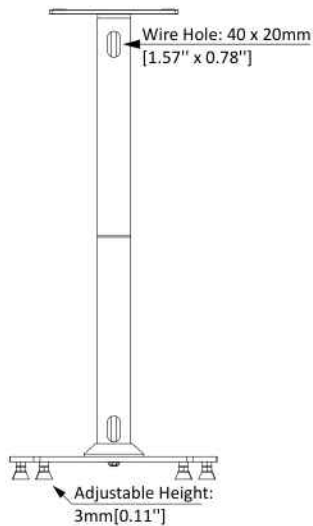
Product Dimensions



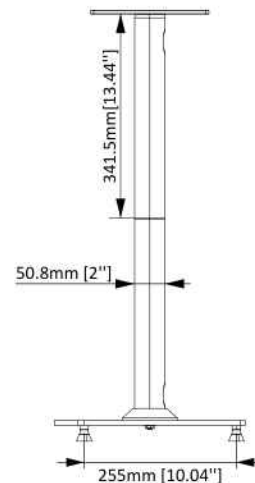
FRONT VIEW



TOP VIEW



BACK VIEW



SIDE VIEW