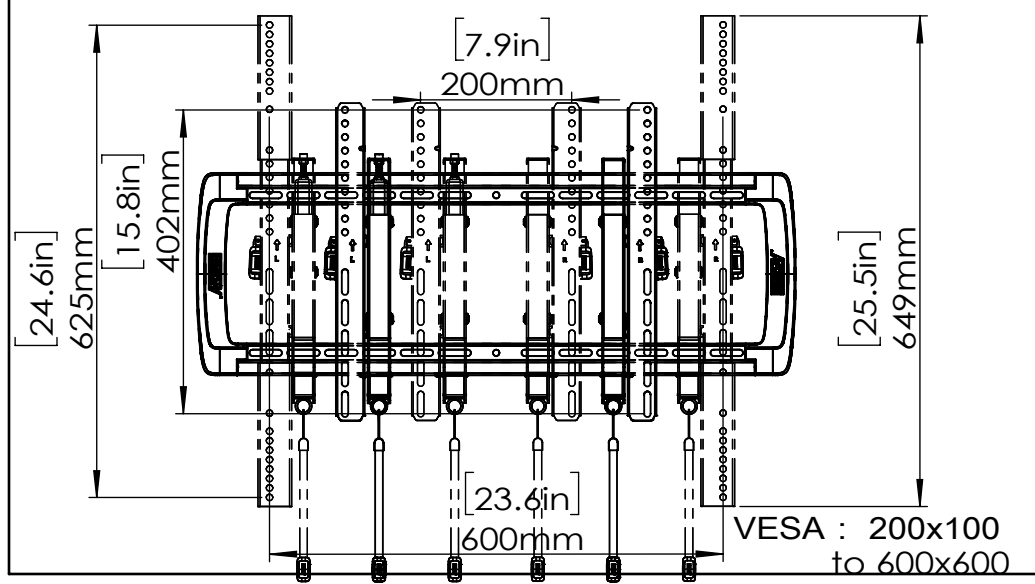


# ERMTL7 Tech -drawing V2.0

REV01

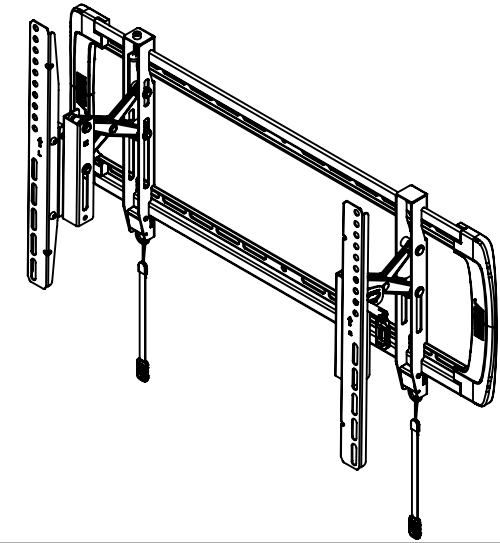
## TV INTERFACE



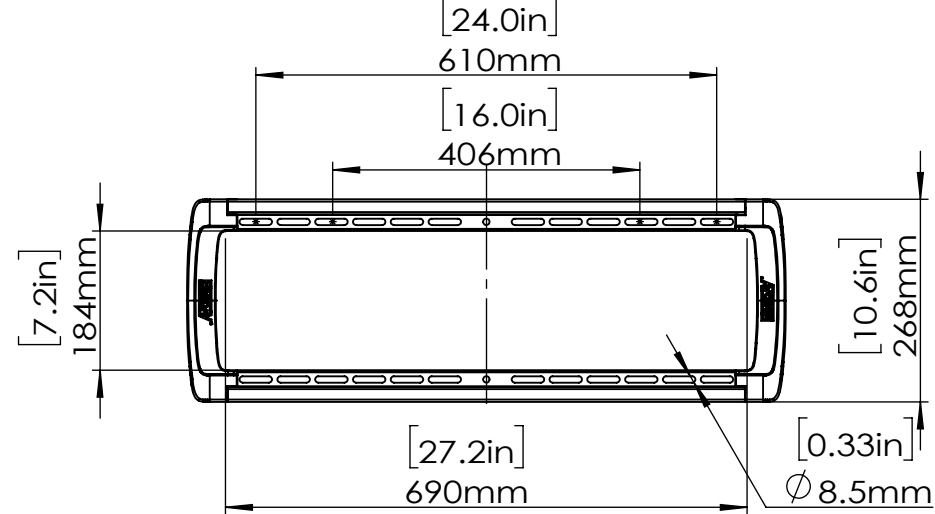
Model Number	ERMTL7
Maximum TV Weight	150 LBS
TV Size Range	42"-98"
Net Weight	11.2 LBS
Gross Weight	14.7 LBS
Product Dimension	31.2" x 25.6" x 3.1"

THE INFORMATION CONTAINED IN THIS DRAWING IS THE CONFIDENTIAL AND PROPERTY OF ErgoAV. ANY REPRODUCTION OR DISCLOSED WITHOUT THE WRITTEN PERMISSION OF ErgoAV IS PROHIBITED.

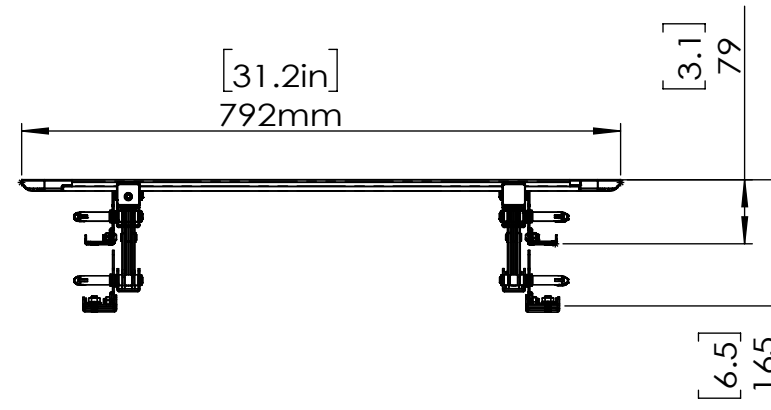
## 3-D View



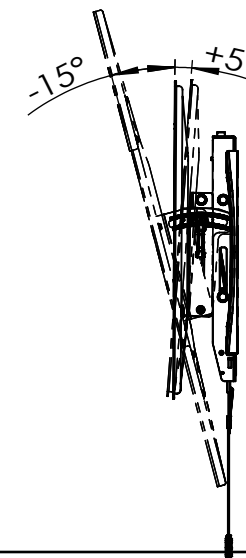
## WALL PLATE



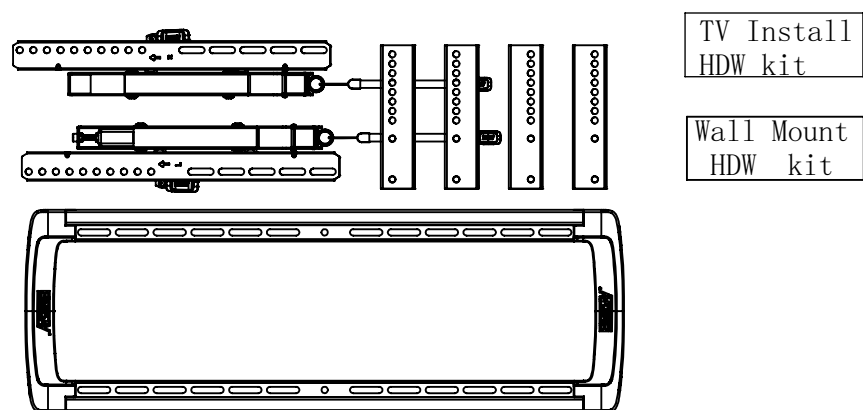
## TOP VIEW



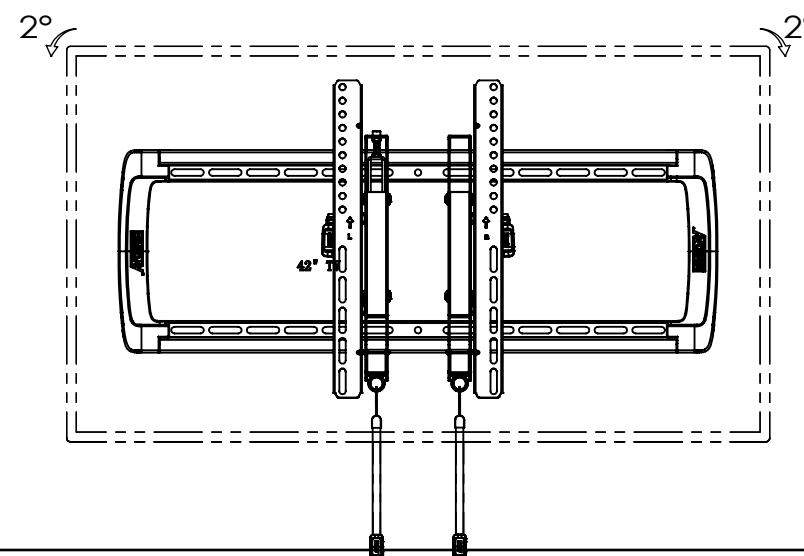
## SIDE VIEW - TILTING



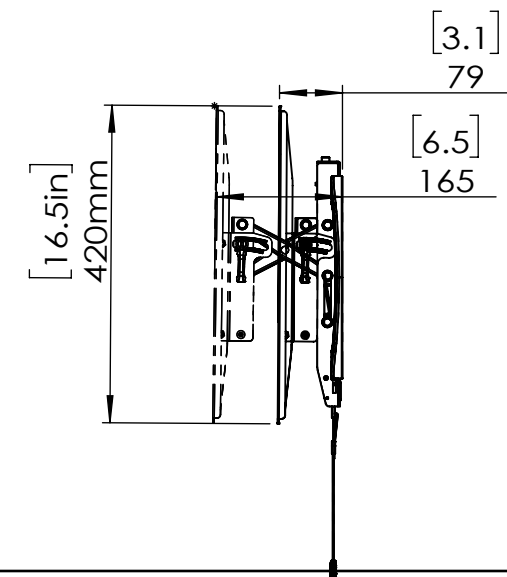
## SHIP WITH



## LEVEL ADJUSTMENT



## SIDE VIEW



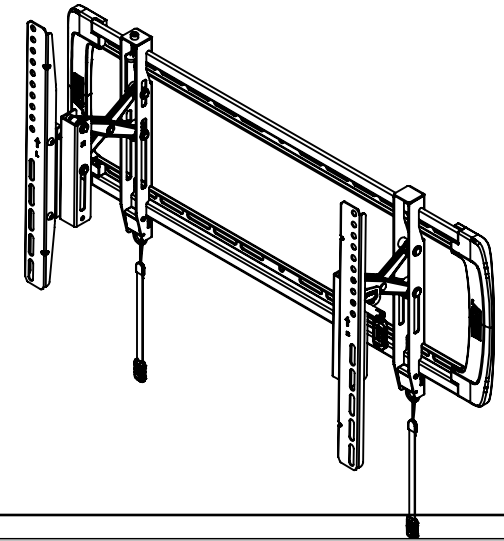
# ERMTL7 Tech -drawing V2.0 REV01

## ASSEMBLE WALLPLATE

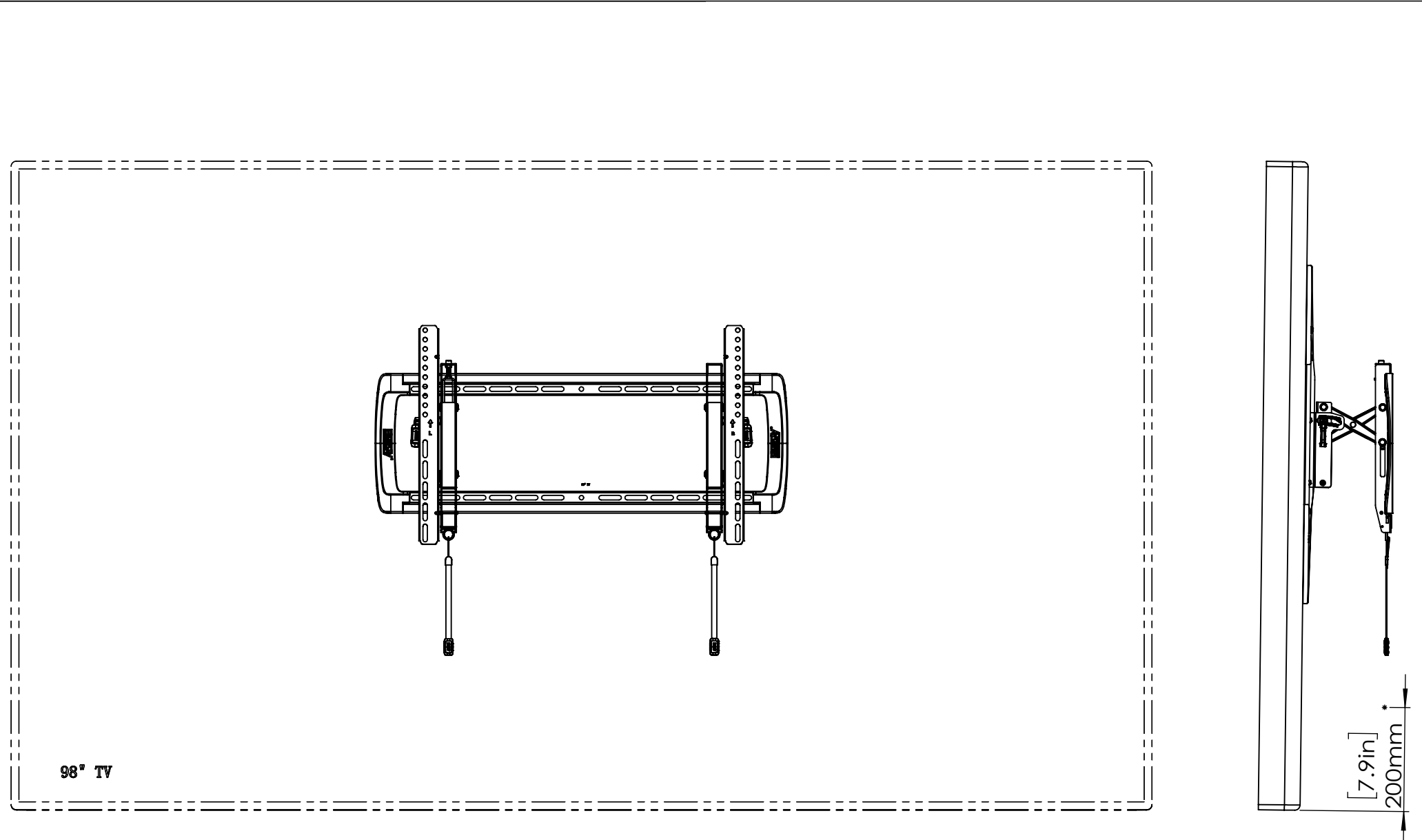
Model Number	ERMTL7
Maximum TV Weight	150 LBS
TV Size Range	42"-98"
Net Weight	11.2 LBS
Gross Weight	14.7 LBS
Product Dimension	31.2" x 25.6"x3.1"

THE INFORMATION CONTAINED IN THIS DRAWING IS THE CONFIDENTIAL AND PROPERTY OF SHENZHEN BESTQI INNOVATION TECHNOLOGY CO.,LTD. ANY REPRODUCTION OR DISCLOSED WITHOUT THE WRITTEN PERMISSION OF BSQ IS PROHIBITED.

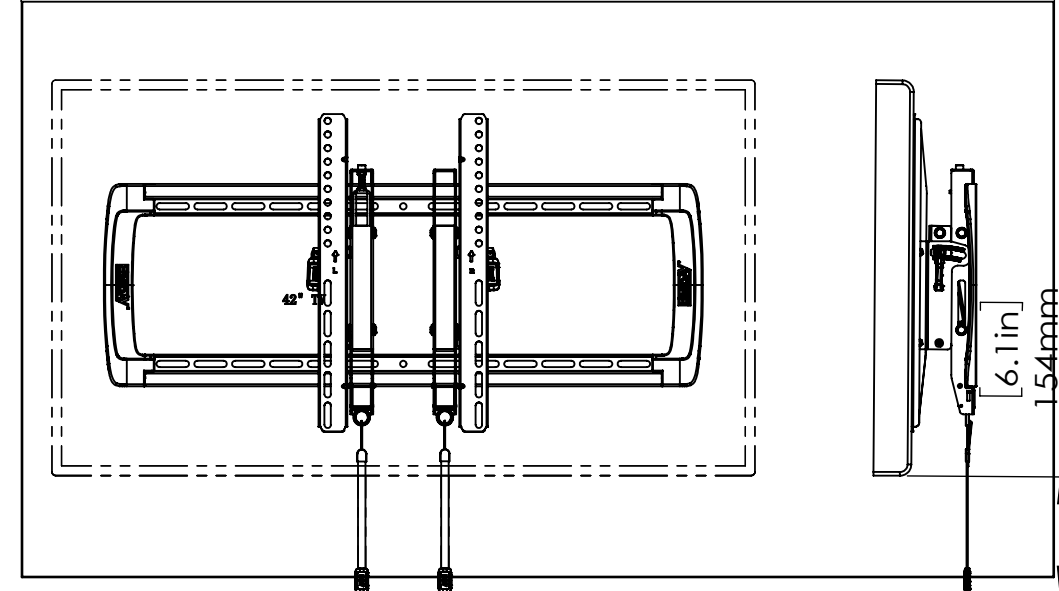
## 3-D View



## 98" TVs INSTALLATION



## 42" TV INSTALLATION



## 42" TV SIDE INSTALLATION

