

注：此页为技术说明，非印刷内容

刀模线：——

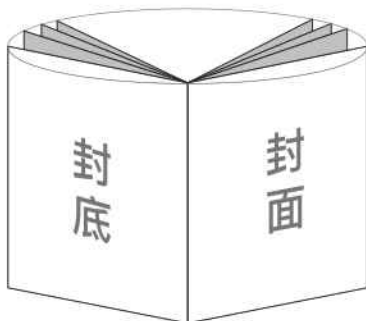
内折线：——

297mm

展开尺寸图：

210mm

装订效果图：



技术要求：

- 1、材质：105g 铜板纸
- 2、展开尺寸：A4，如图所示折叠成型为A5，20P
- 3、颜色：单色
- 4、印刷：印刷图档见后续页，双面印刷
- 5、装订方式：骑马钉

未经倍思奇书面许可，不得复制或全部内容。违者本公司保留追究法律责任的权利。

| | | | | | | | | |
|--------------|------|------|------------|-----------------------|---------------------------|------|--------------|--|
| | | | | 名称 | ERMML5- Manual(单英)-SAE | PLM号 | 860-02785-00 | |
| | | | | 图号 | | 投影法 | 第一角投影法 | |
| | | | | 图号 | | | | |
| 标记 | 处数 | ECO# | 发行时间 | 材料 | 版本 | | | |
| 设计 | | | P M | 规格 | 00 | | 1:1 | |
| 绘图 | Zoey | 日期 | 2024/04/19 | | 共1页 | | 第1页 | |
| 审批 | Lily | 日期 | 2024/04/19 | 倍思奇创新科技 (深圳)股份有限公司 | | | | |
| 除去所有利边，尖点，毛刺 | | | | | | | | |

符号标识

版本变更

修改

审核尺寸

XXX

编号

册册

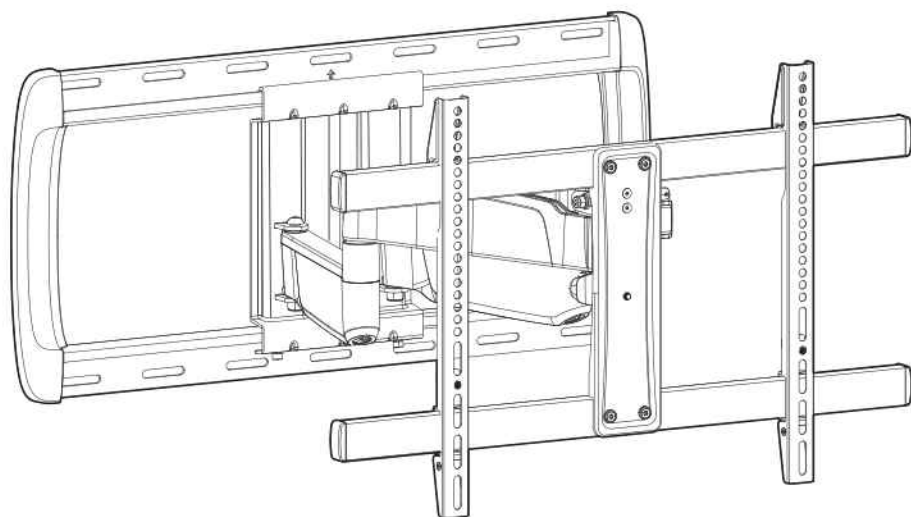
审核尺寸

(X.XX)



Large Motion TV Mount Instruction Manual

Rev00



ERMML5

Thank you for choosing ErgoAV!

At ErgoAV, our goal is to add value to your AV experience by providing the highest quality products and services in the industry. We offer a 5-year warranty. If you have any questions or concerns, please contact us.



ErgoAV



9501 Louisiana Ave N, #200, Brooklyn Park, MN 55445



(877) 419-7832 Mon-Fri 8am - 8pm (CST)



support@ergoav.com

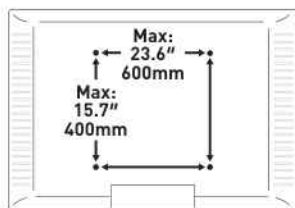


www.ergoav.com

BEFORE GETTING STARTED, LET'S MAKE SURE THIS MOUNT IS COMPATIBLE

1

Check VESA Pattern Compatibility



Compatible VESA Patterns:

| | | |
|-------------|-------------|-------------|
| 200 x 100mm | 300 x 300mm | 400 x 400mm |
| 200 x 200mm | 400 x 200mm | 500 x 400mm |
| 300 x 200mm | 400 x 300mm | 600 x 400mm |

Maximum/Minimum:

600 x 400mm (23.6 x 15.7")
200 x 100mm (7.9 x 3.9")

If this mount is not compatible, please contact product support.

2

Check Max Load



⚠ WARNING

DO NOT exceed the Max Load. Use with products heavier than the Max Load may result in failure of the mount and its accessories, causing possible damage and/or injury.

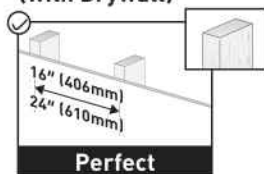
If your TV weighs more, this mount is NOT compatible.

3

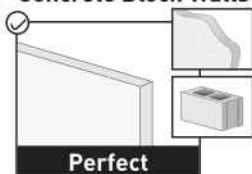
Verify Wall Type



Wood Studs (with Drywall)

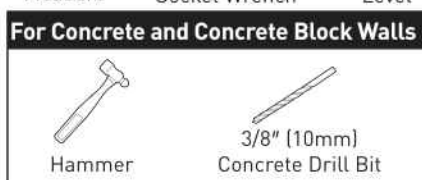
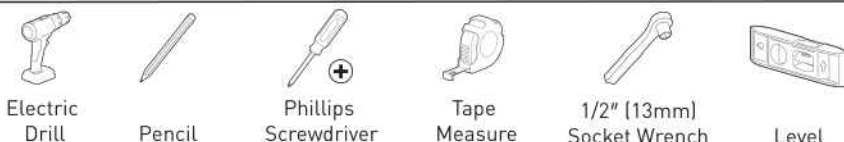


Concrete and Concrete Block Walls



4

Tools Needed (not included)



5

Important Safety Information

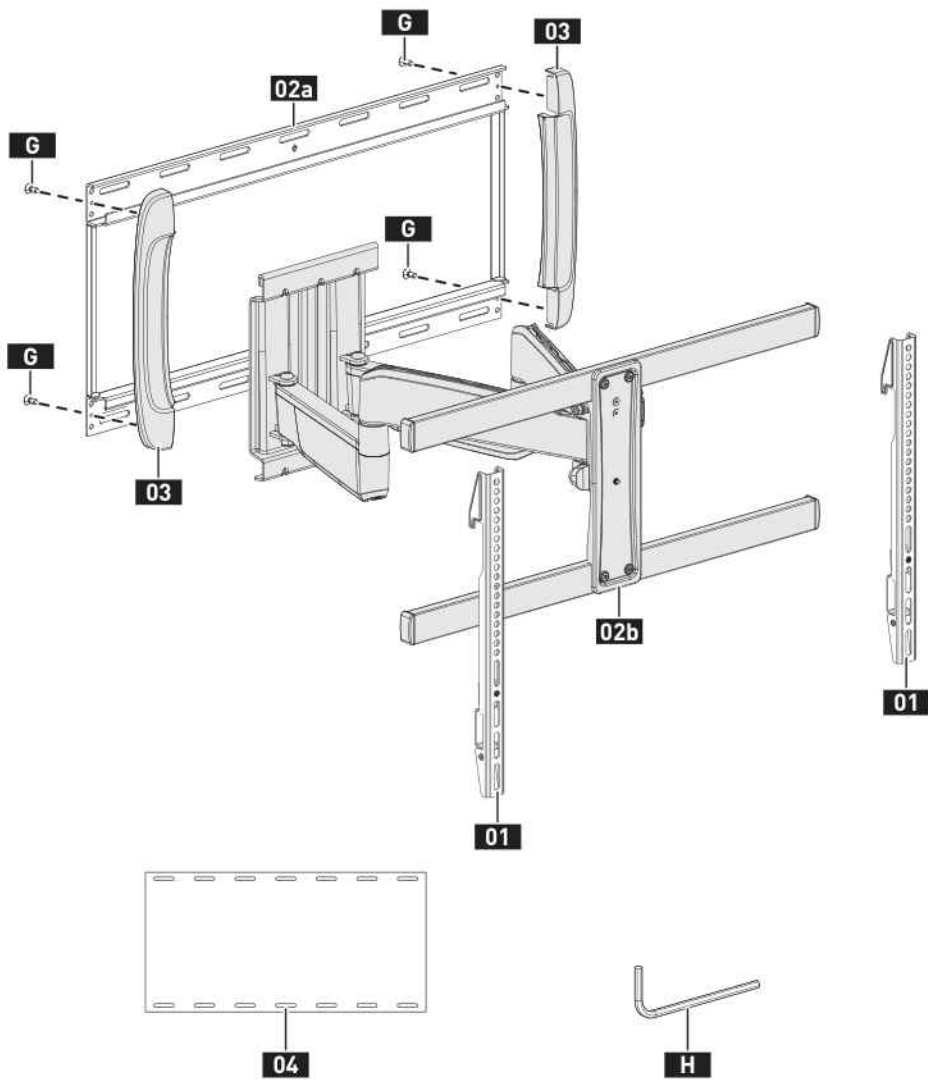
⚠ DANGER: Please carefully read all instructions before attempting installation. If you DO NOT understand the instructions or have any questions or concerns, please call technical support or email customer service.

⚠ CAUTION: Avoid the risk of personal injury and property damage!

⚠ WARNING: All fasteners must be firmly tightened!

- This mount can only be installed on wood studs, concrete and concrete block walls. DO NOT install on drywall alone.
- The wall must be capable of supporting four times the weight of the TV and mount combined.
- This product contains small parts that may pose a choking hazard.
- DO NOT use this product for any purpose that is NOT explicitly specified in this manual. DO NOT exceed the maximum weight capacity. We are not liable for damage or injury caused by incorrect assembly, improper mounting, or inappropriate use.
- Use this mounting system only for its intended purpose as described in these instructions. DO NOT use attachments not recommended by the manufacturer.
- DO NOT use outdoors.
- Route cords and cables properly to avoid mechanical damage.

SAVE THESE INSTRUCTIONS

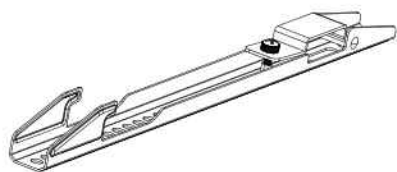


- | | |
|-------------------------|-------------------------------|
| 01 TV Bracket | 04 Wall Plate Template |
| 02a Wall Plate | G Bolt |
| 02b Arm assembly | H Allen Key |
| 03 End Cap | |

INSTALLATION

Supplied Parts and Hardware for Step 1

Not all hardware included in this package will be used.



TV Bracket

01 x 2



M4/M5
Washer

B1 x 4



M6/M8
Washer

B2 x 4



L2.5mm
Spacer

F1 x 8



L10mm
Spacer

F2 x 4



L22mm
Spacer

F3 x 4

M4



M4 x 12mm
TV Bolt

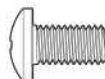
C1 x 4



M4 x 30mm
TV Bolt

C2 x 4

M8



M8 x 15mm
TV Bolt

E1 x 4



M8 x 35mm
TV Bolt

E2 x 4

M6



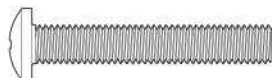
M6 x 15mm
TV Bolt

D1 x 4



M6 x 35mm
TV Bolt

D2 x 4



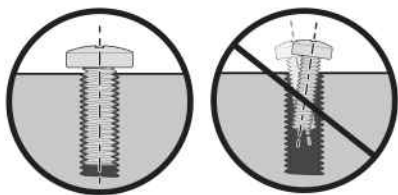
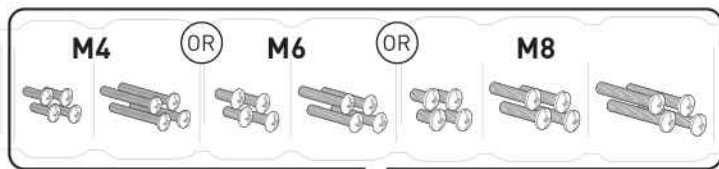
M8 x 50mm
TV Bolt

E3 x 4

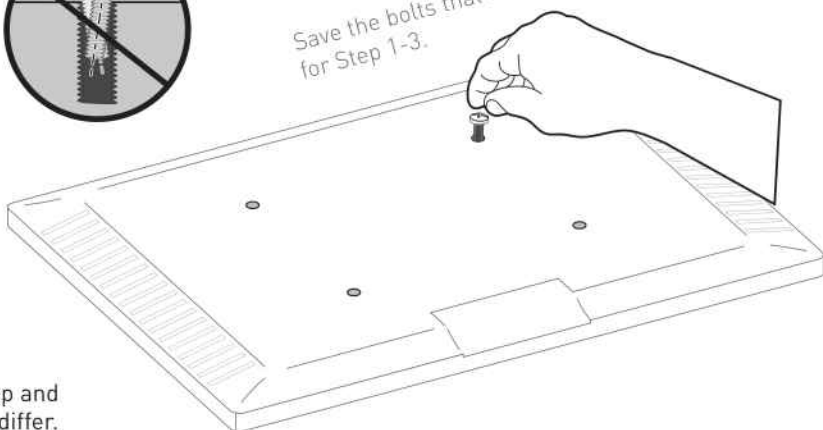
STEP 1 Attach the TV Brackets to Your TV

1-1 Select TV Bolts

The correct bolt diameter will thread smoothly into your TV.

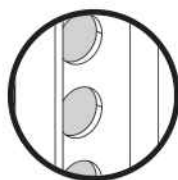
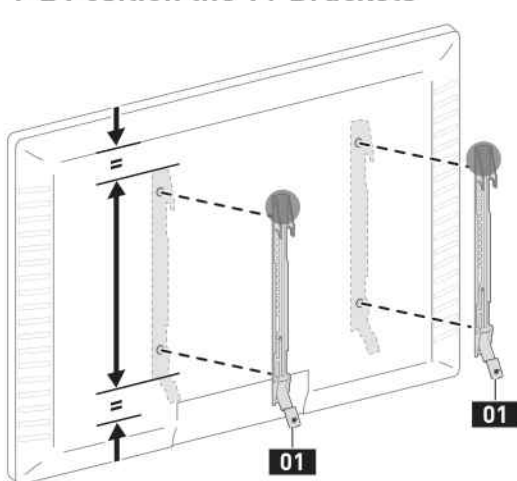


Save the bolts that fit (M4, M6, or M8) for Step 1-3.

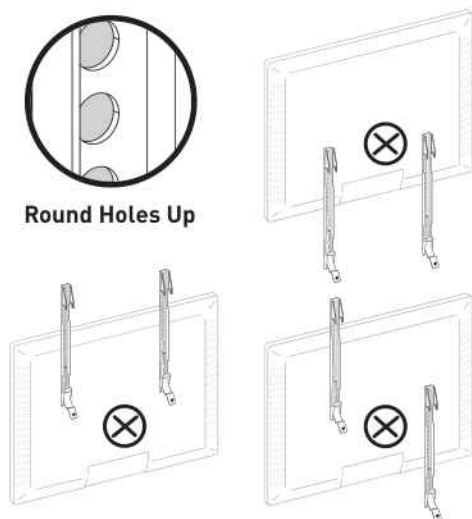


The depth of the top and bottom holes may differ.

1-2 Position the TV Brackets



Round Holes Up



1-3 Secure the TV Brackets

For Flat-Back TV, go to Option A on this page.

For Bump, Curved TV, Recessed Holes and Cables, go to Option B on next page.

⚠ WARNING:

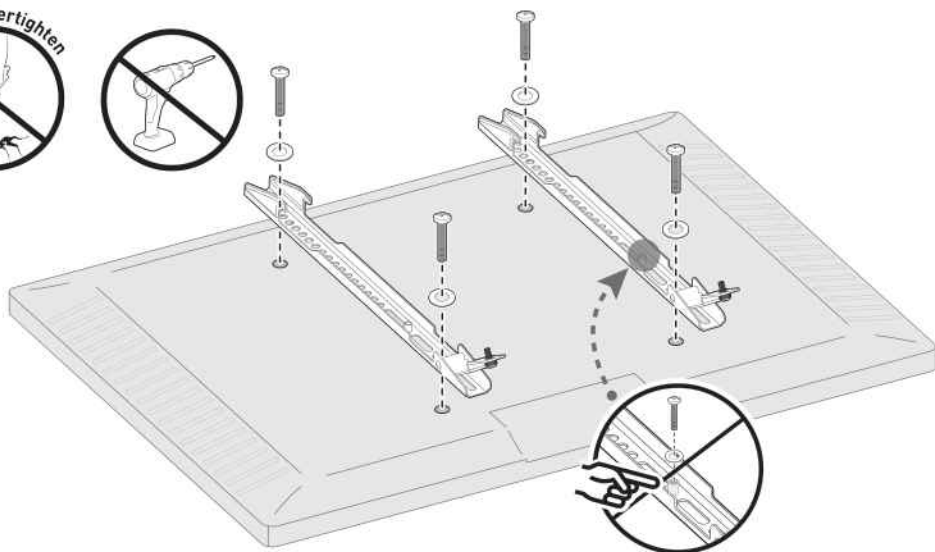
- DO NOT turn the bolt past the bottom of the hole.
- If the bolt is too short, it may not adequately support the TV.
- If the bolt is too long, it could damage the TV.
- At least 4-5 turns into the threading is required.
- **The depth of the bottom holes may be different from the top holes.**



Too Short

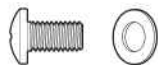


Too Long

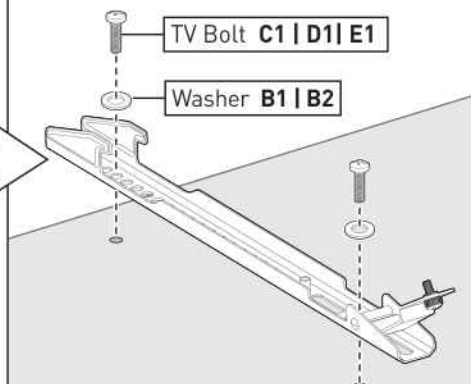


Option A

Use **short** TV bolts with washers.



Flat-Back TV

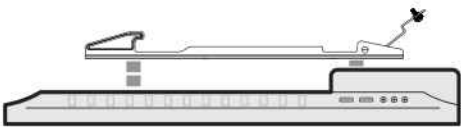


Option B

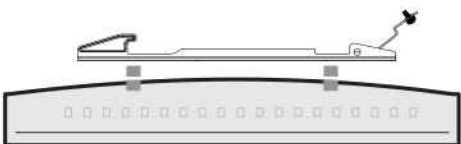
Use **long** TV bolts with washers and spacers to create extra space between the TV and brackets.



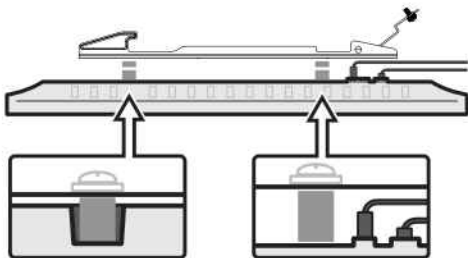
Bump



Curved TV



TV with Mounting Restrictions



Recessed Holes

Protruding Cables

Measure



OR



Compare

You can use a tape measure to measure the protruding bolts or hold spacers next to them to choose the right spacer combination.



Note:

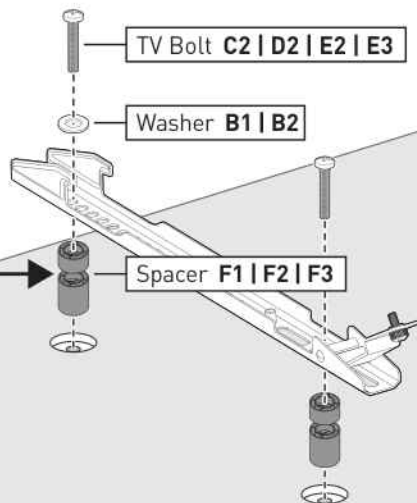
There are many possible spacer combinations that can be used.



[877] 419-7832
Mon-Fri 8am - 8pm (CST)



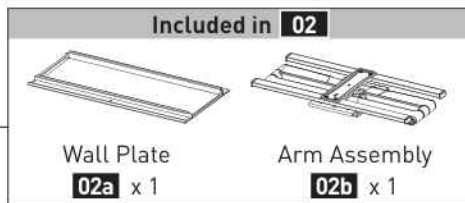
support@ergoav.com



Supplied Parts and Hardware for Step 2



Arm Assembly /
Wall Plate
02 x 1



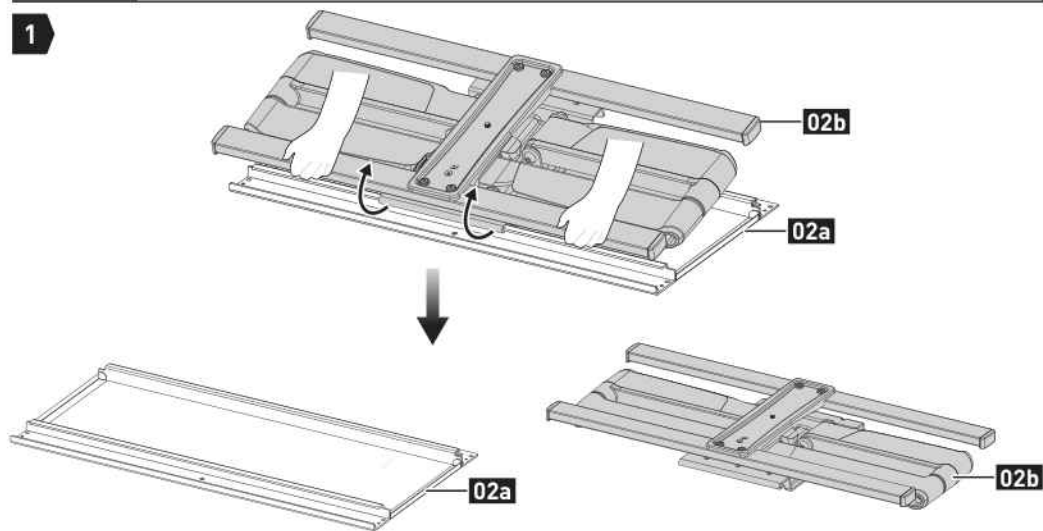
End Cap
03 x 2



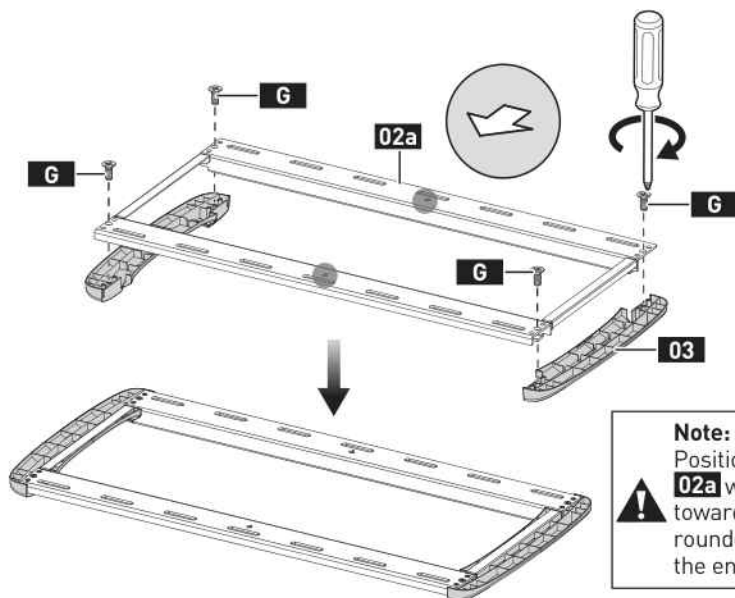
M4 x 10mm
Bolt
G x 4

STEP 2 Attach the End Caps to the Wall Plate

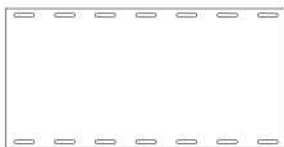
1



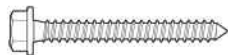
2



Supplied Parts and Hardware for Step 3



Wall Plate Template
04 x 1



ST 5/16 x 2 3/4"
Lag Screw
A1 x 5



Wall Anchor
A2 x 5

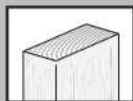
CAUTION!

This anchor is for concrete and concrete block walls **ONLY**. DO NOT use them in drywall or wood studs.

STEP 3 Mount the Wall Plate on the Wall

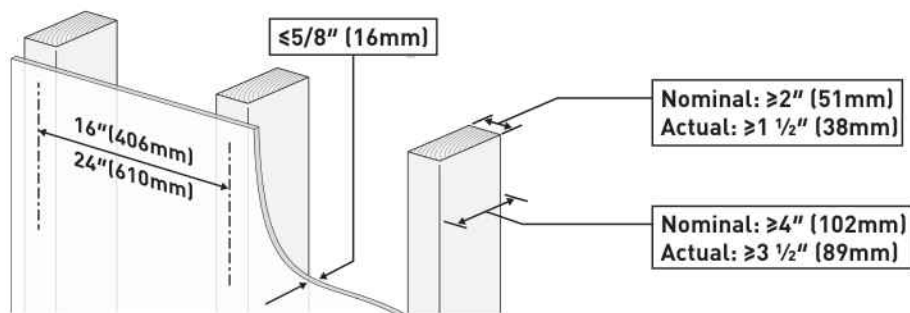
For mounting on wood stud walls, go to Option A on page 09 to 10.

For mounting on concrete and concrete block walls, go to Option B on page 11 to 12.



Option A

For Wood Stud Installation



Tools Needed (Not Included)



Electric Drill



Pencil



Tape Measure



Stud Finder



Awl



7/32" (5.5mm)
Wood Drill Bit



Level



1/2" (13mm)
Socket Wrench

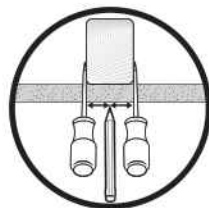
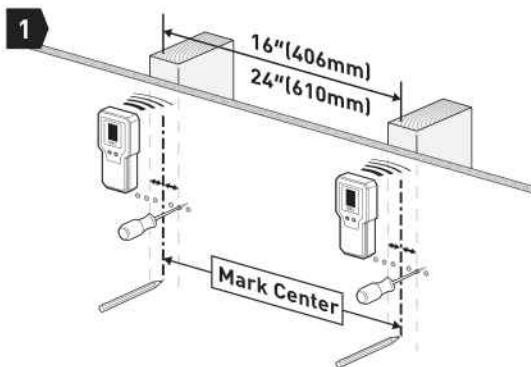
WARNING:

- Avoid the risk of personal injury or property damage! Tighten the lag screws **A1** only until they are pulled firmly against the wall plate (**DO NOT overtighten**). DO NOT use a drill; only use a socket wrench.
- DO NOT use wall anchors **A2** for this mounting option.

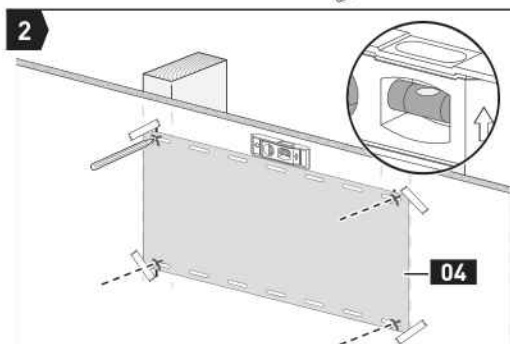


A2
Wall Anchor

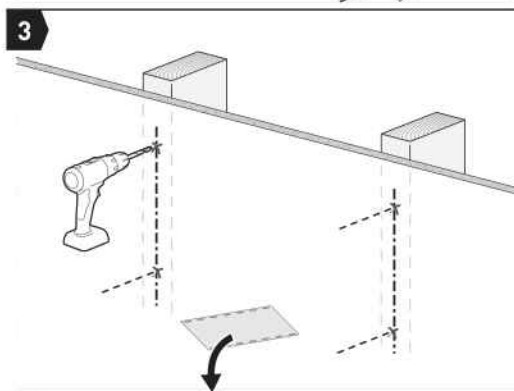
Find Studs and Mark Holes



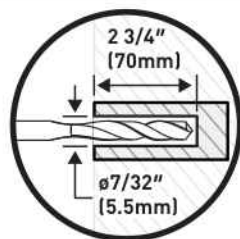
Mark 4 Hole Positions



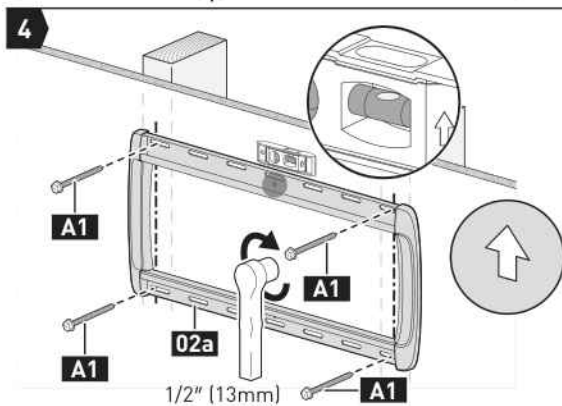
Drill 4 Holes



⚠ Note: Be sure to use the specified drill bit.



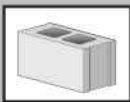
Secure the Wall Plate



⚠ **HEAVY!** You may need assistance with this step.

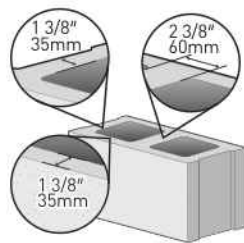
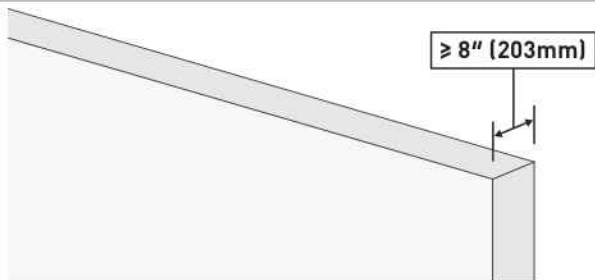


Go to Step 4 on Page 13



Option B

For Concrete and Concrete Block Wall Installation



Tools Needed (Not Included)



Electric Drill

Pencil

Tape Measure

Hammer

3/8" (10mm)
Concrete Drill Bit

Level

1/2" (13mm)
Socket Wrench

WARNING:

- Avoid the risk of personal injury or property damage! Tighten the lag screws **A1** only until they are pulled firmly against the wall plate (**DO NOT overtighten**). DO NOT use a drill; only use a socket wrench.
- Use wall anchors **A2** for this mounting option.
- Mount the wall plate directly on the concrete surface.
- Minimum concrete block size: 8" x 8" x 16" [203 x 203 x 406mm]

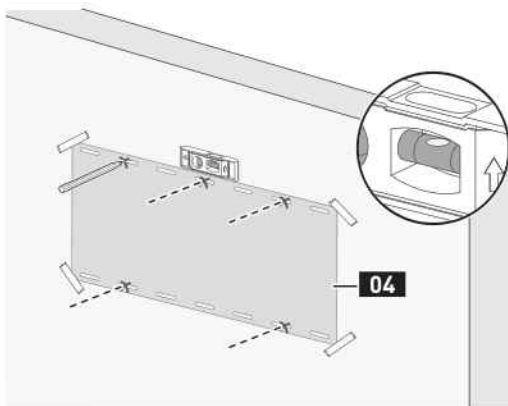


A2

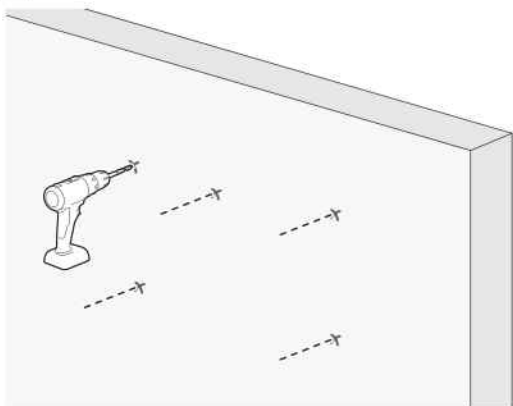
Wall Anchor

1

Mark 5 Hole Positions



2

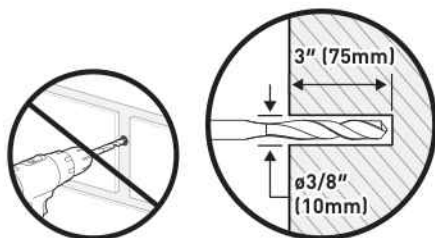


Drill 5 Holes

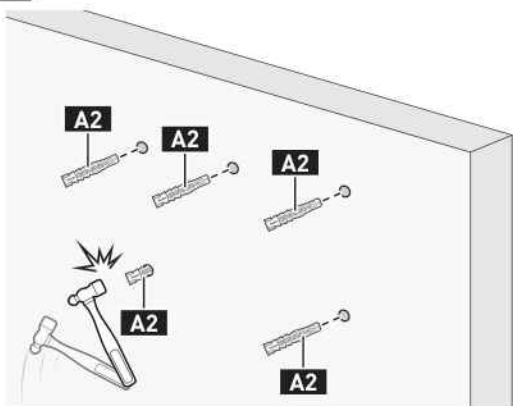
Note:



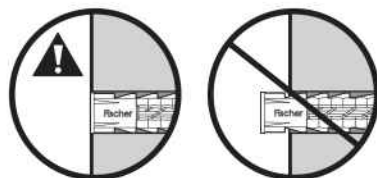
- Be sure to use the specified drill bit.
- Never drill into the mortar between blocks.



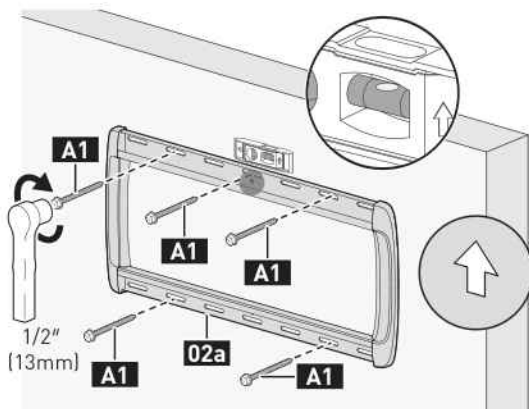
3



Tap Wall Anchors In



4



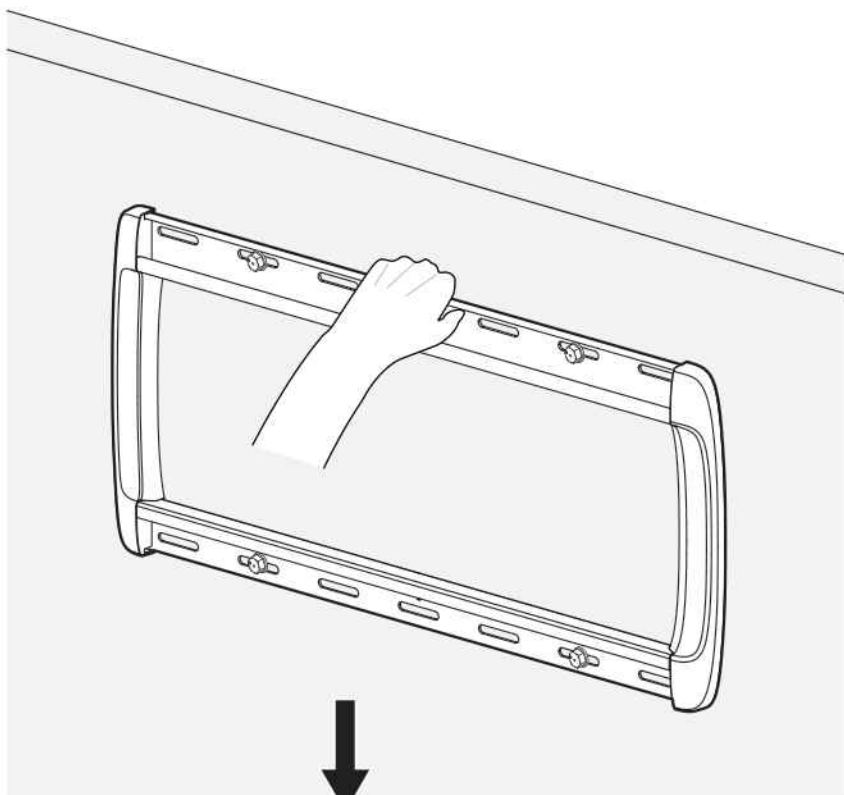
Secure the Wall Plate



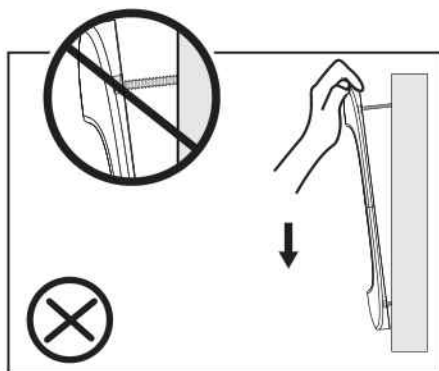
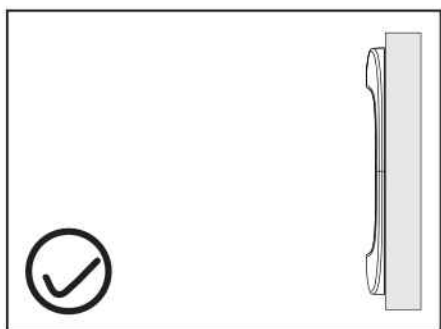
HEAVY! You may need assistance with this step.



STEP 4 Verify Wall Plate is Firmly Mounted



Pull Down



Supplied Parts and Hardware for Step 5



Arm assembly

02b x 1

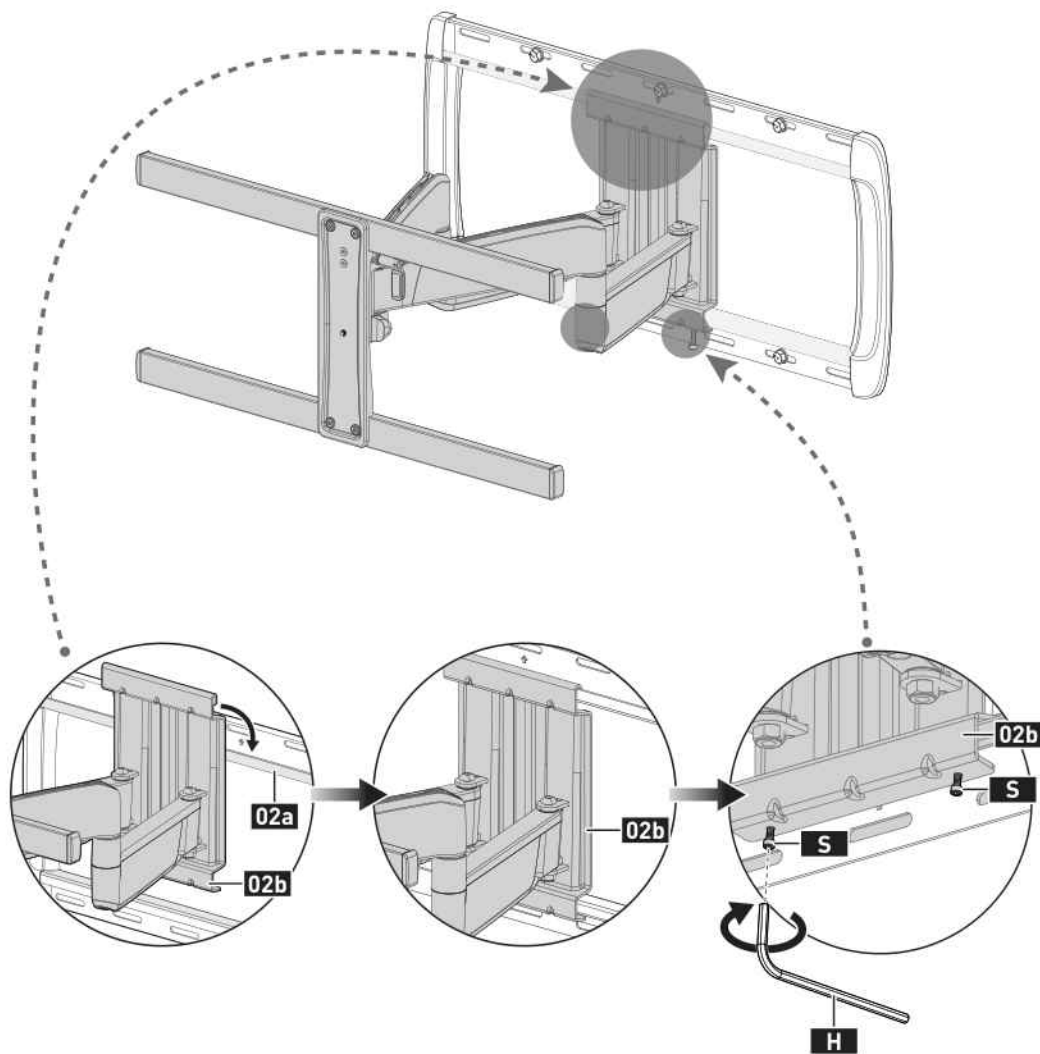


3/16" (5mm)

Allen Key

H x 1

STEP 5 Attach the Arm Assembly to the Wall Plate



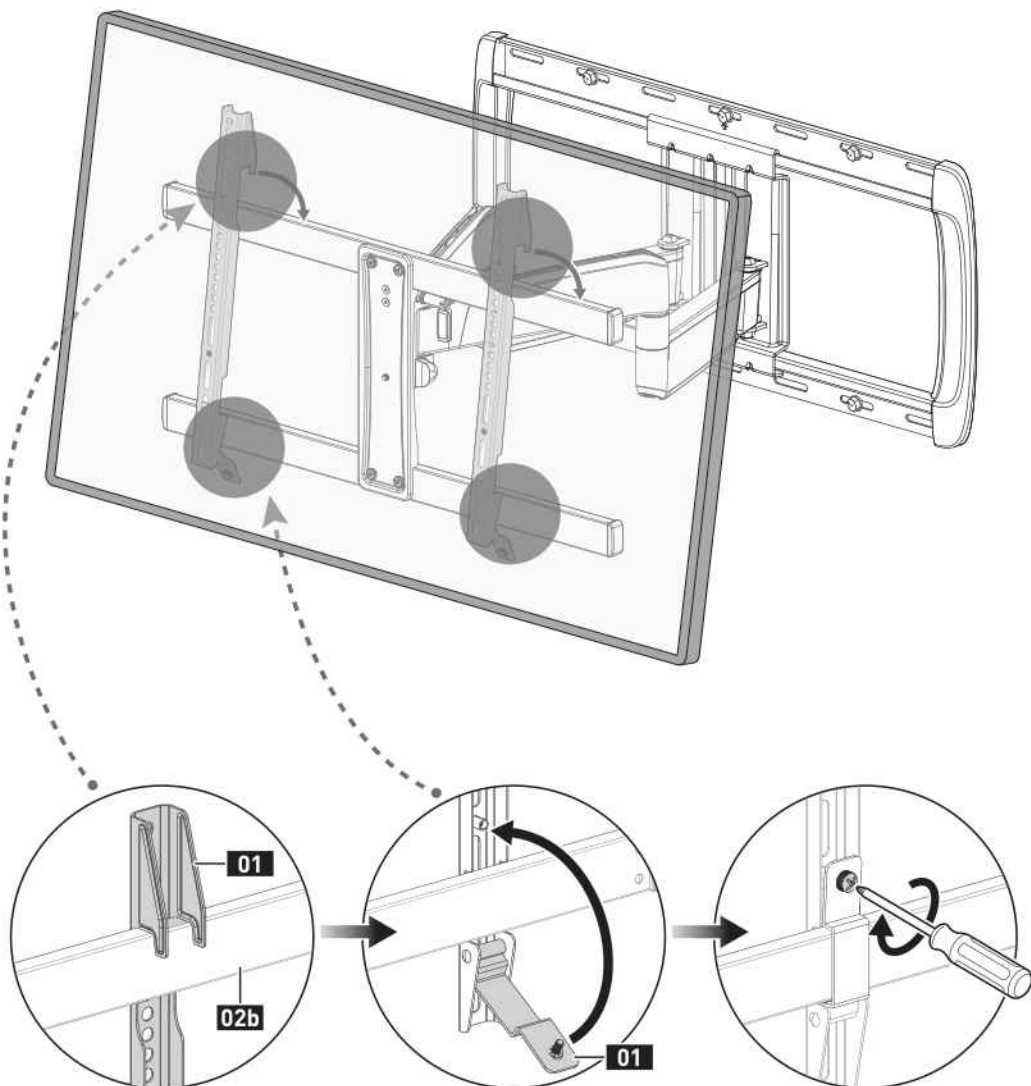
STEP 6 Hang the TV on the Front Support



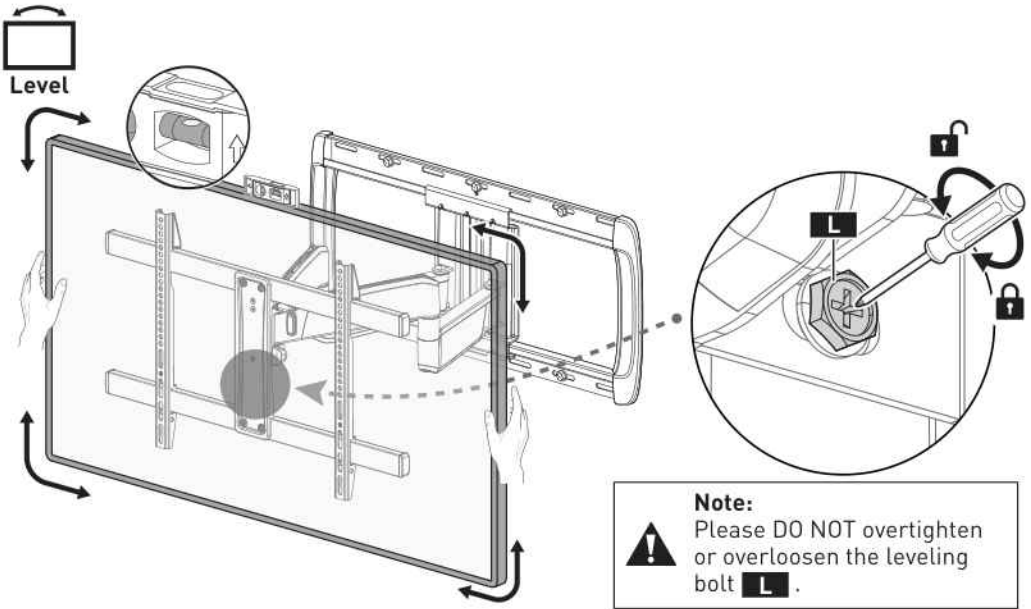
HEAVY! You may need assistance with this step.



Note: Flip the safety locks down on the TV brackets before hanging the TV.

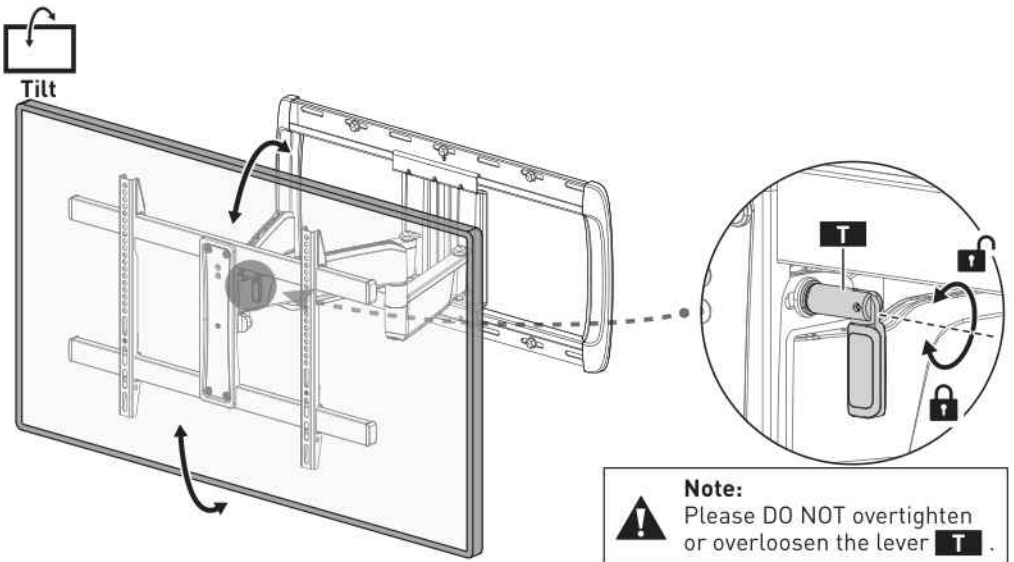


STEP 7 Level Adjustment



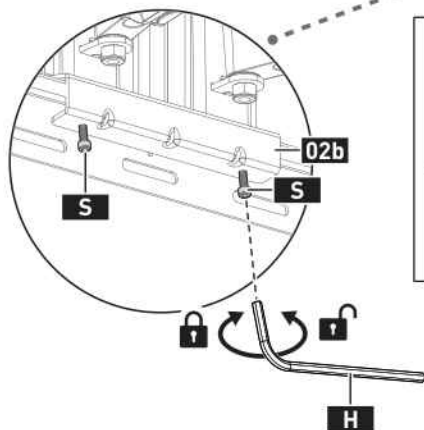
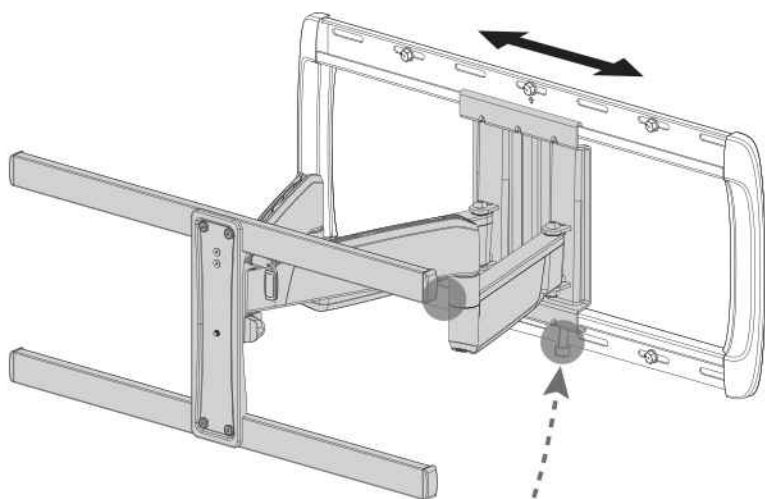
Level your TV using a level. If it is difficult to level your TV, slightly loosen the leveling bolt **L**, then level your TV. Retighten the leveling bolt **L** to hold the TV in position.

STEP 8 Tilt Adjustment



Slightly loosen the lever **T**. Tilt the TV to the desired angle. Retighten the lever **T** to hold the TV in position.

STEP 9 Lateral Shift

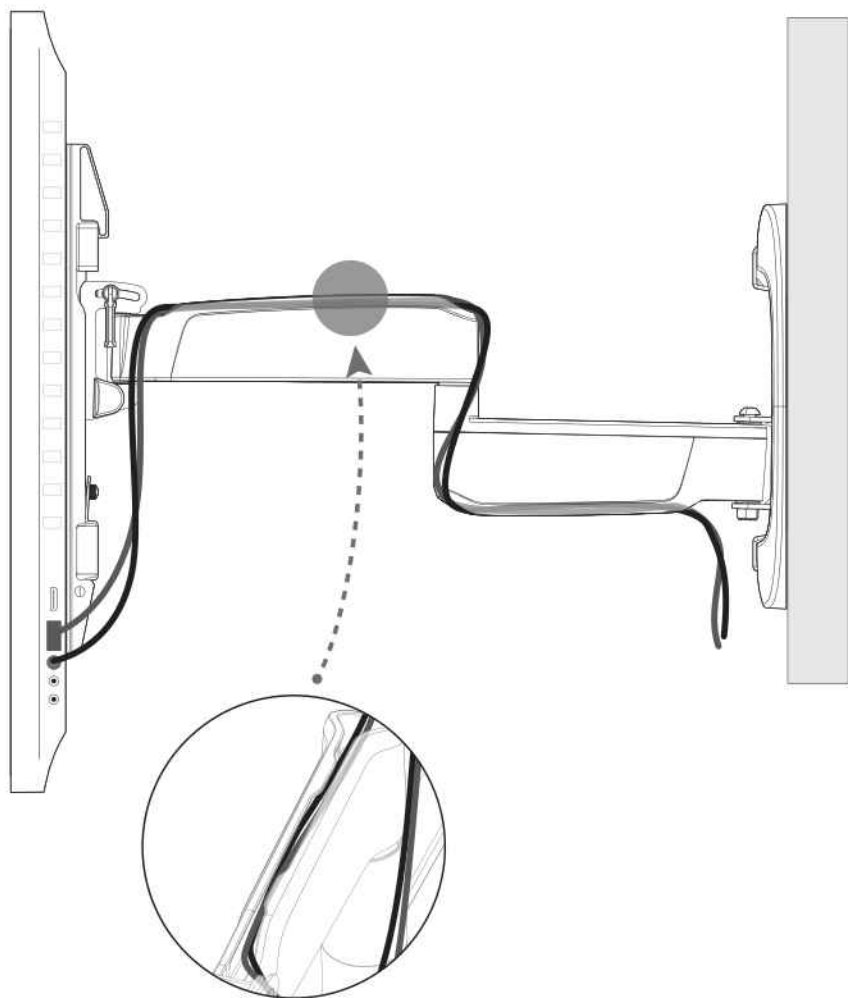


Note:

- Remove the TV before lateral shift.
- Please DO NOT overtighten or overloosen the bolts **S**.
- Ensure the bolts **S** are fully tightened when the adjustment is completed.

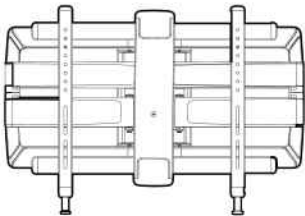
Slightly loosen the bolts **S**. Move the arm assembly to the desired position. Retighten the bolts **S** to hold the arm assembly in position.

STEP 10 Cable Management

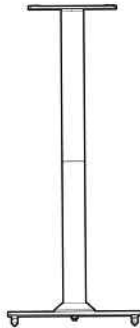


ERGOAV™

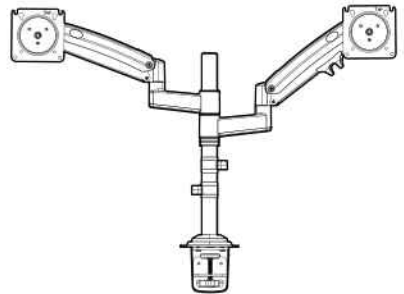
At ErgoAV, our goal is to provide the high-quality audio video solutions and product support that you need. If you have any questions, concerns, or feedback, please let us know!



TV Mounts



Speaker Stands



Computer Monitor Mounts



ErgoAV



9501 Louisiana Ave N, #200, Brooklyn Park, MN 55445



(877) 419-7832 Mon-Fri 8am - 8pm (CST)



support@ergoav.com



www.ergoav.com