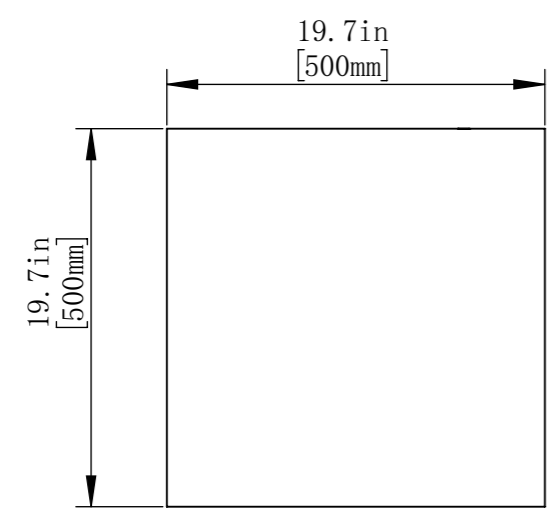


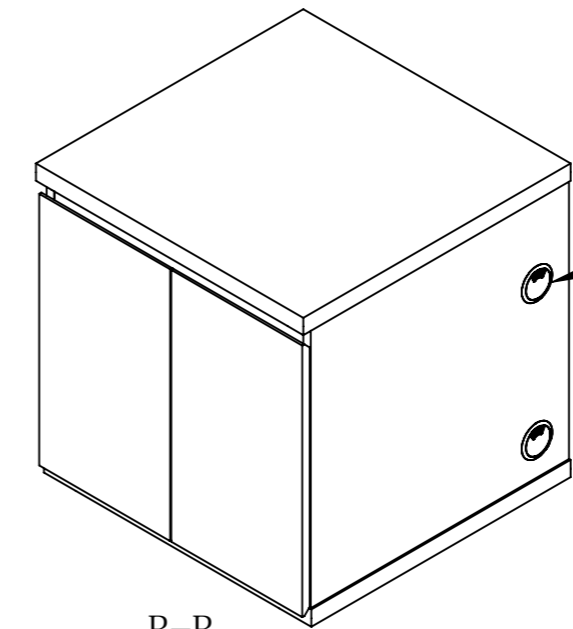
Oversize: 19.7"*19.7"*20.3"

Raw material: MDF

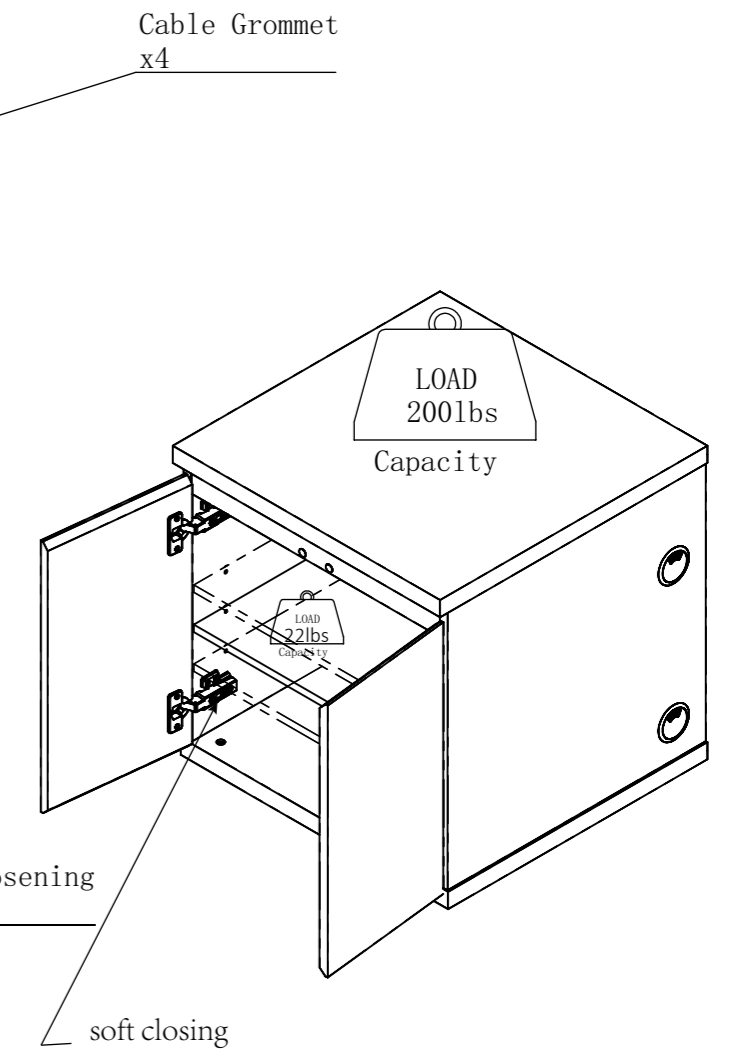
A



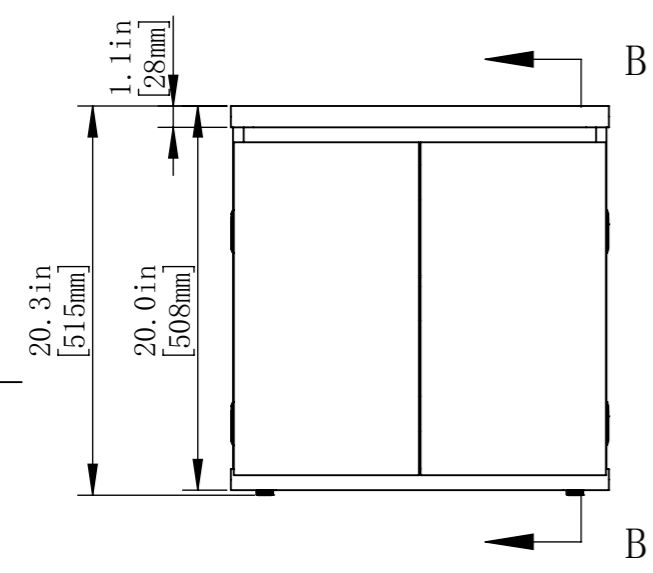
B



B-B

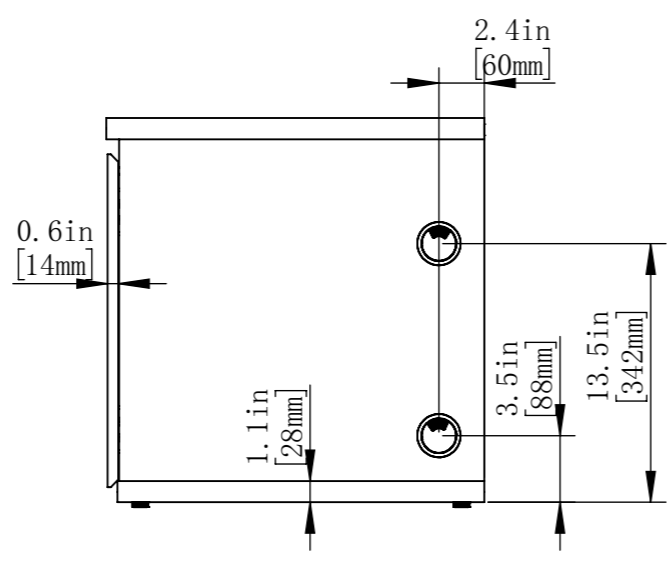


C

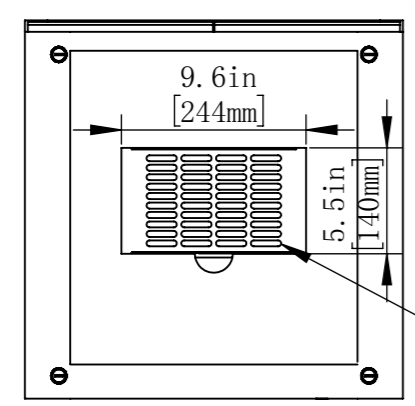


B

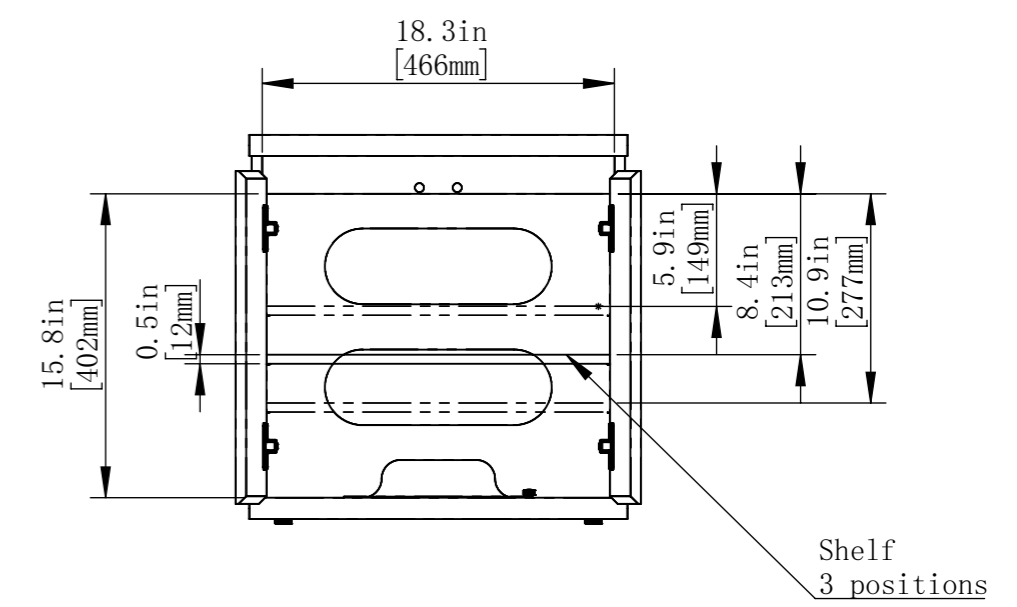
B



D



Ventilation



Shelf
3 positions

- SYMBOLS
REVISION CHANGE
- INSPECTION ITEM
.XXX
- ITEM NUMBER
##
- REFERENCE DIM
(X.XX)

THE CONTAINED IS THE CONFIDENTIAL AND PROPERTY OF ErgoAV. ANY REPRODUCTION OR DISCLOSED WITHOUT THE WRITTEN PERMISSION OF ErgoAV IS PROHIBITED.

Date: 2025. 12. 23
Ver: 00

Model: ERFM1-01

