



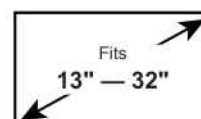
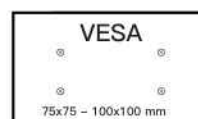
The ERDGM4-01B is a triple monitor Desk Mount for Monitors 13-32" weighing up to 17 lbs. The gas spring arm provides easy height adjustment - simply move the monitors where you want them, no tools required! Unique design securely holds three monitors weighing up to 17 lbs. Height, swivel, and tilt adjustments allow the monitors to be placed at the optimal position. Versatile mounting options; includes desk clamp or grommet mount accommodates a variety of desk types. Built in cable management allows cables to be neatly organized creating a clean look.

### Features

- Universal compatibility - fits most monitors 13-32" weighing up to 17 lbs with VESA 75 x 75 or VESA 100 x 100 hole patterns.
- The gas spring arm provides easy height adjustment - simply move the monitors where you want them, no tools required!
- Unique design securely holds three monitors weighing up to 17 lbs.
- Height, swivel, and tilt adjustments allow the monitors to be placed at the optimal position.
- Versatile mounting options; includes desk clamp or grommet mount accommodates a variety of desk types.



### Monitor Compatibility



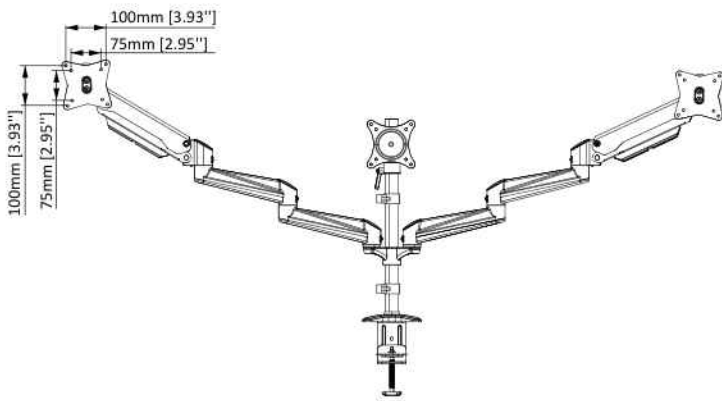
<b>Model Number</b>	<b>ERDGM4-01B</b>	<b>WARRANTY:</b>	<b>5-Year</b>
---------------------	-------------------	------------------	---------------

<b>Product Specifications</b>	DIMENSIONS (W x H x D)	PRODUCT WEIGHT	LOAD CAPACITY	FINISH	AVAILABLE COLORS
	67.32" x 20.07" x 4.92"	14.99 lbs.	17 lbs.	Powder Coating	Black
	1710mm x 510mm x 125mm	6.8 KG	7.7 KG		

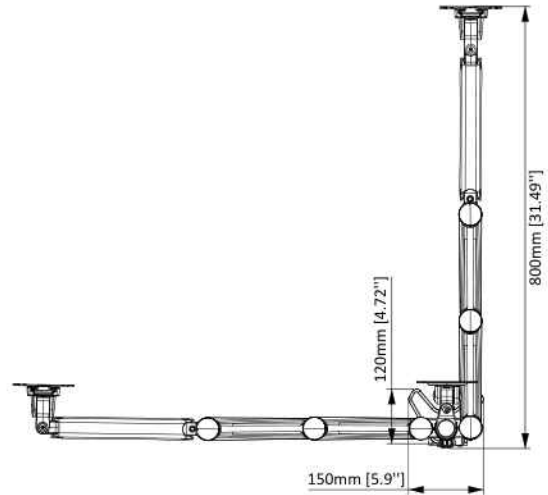
<b>Package Specifications</b>	PACKAGE SIZE (W x H x D)	PACKAGE WEIGHT	PACKAGE UPC CODE	PACKAGE CONTENTS	UNITS IN PACKAGE
	20.86" x 5.31" x 12.79"	18.51 lbs.	810082200546	Product, Manual, Parts	1 Unit
530mm x 135mm x 325mm	8.4 KG				

<b>Master Carton Specifications</b>	PACKAGE SIZE (W x H x D)	PACKAGE WEIGHT	UNITS IN CARTON	
	21.06" x 11.41" x 13.42"	38.8 lbs.		
535mm x 290mm x 341mm	17.6 KG			

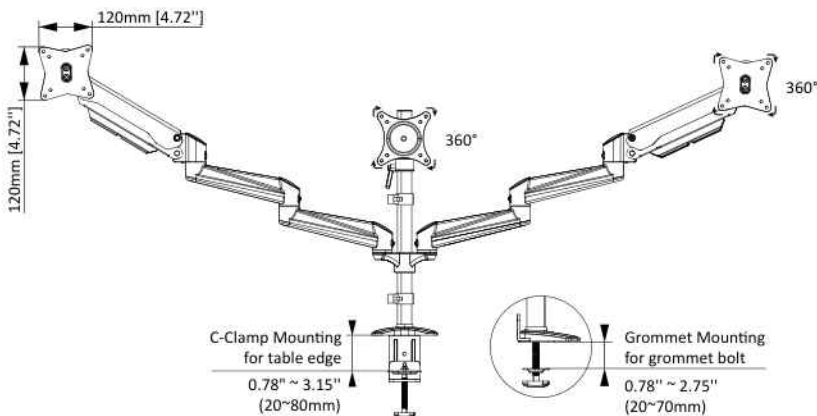
## Product Dimensions



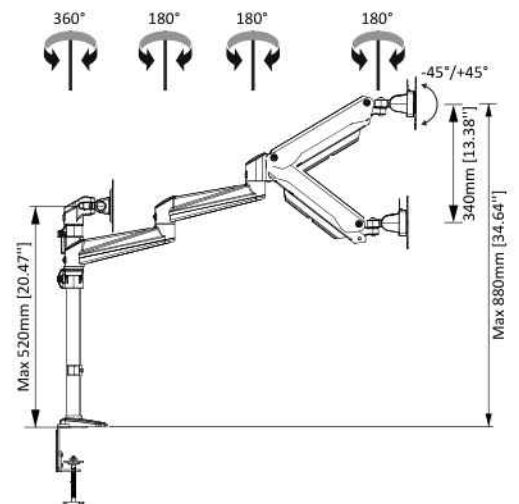
**MONITOR INTERFACE**



**TOP VIEW**



**FRONT VIEW**



**SIDE VIEW**